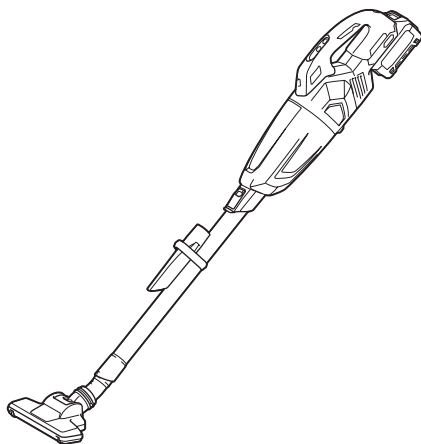


INSTRUCTION MANUAL  
MANUEL D'INSTRUCTION  
MANUAL DE INSTRUCCIONES



# Cordless Cleaner Aspirateur sans Fil Aspiradora Inalámbrica

## CL001G



**IMPORTANT:** Read Before Using.

**IMPORTANT :** Lire avant usage.

**IMPORTANTE:** Lea antes de usar.

## SPECIFICATIONS

|   |                       |                              |
|---|-----------------------|------------------------------|
| <b>Model:</b>                           |                       | <b>CL001G</b>                |
| Capacity                                |                       | 730 mL                       |
| Continuous use<br>(with battery BL4025) | 1 (Quiet mode)        | Approx. 80 min               |
|   | 2 (Normal speed mode) | Approx. 40 min               |
|   | 3 (High speed mode)   | Approx. 25 min               |
|   | 4 (Max speed mode)    | Approx. 16 min               |
| Overall length (with battery BL4025)    |                       | 1,066 mm (42")               |
| Rated voltage                           |                       | D.C. 36 V - 40 V max         |
| Net weight                              |                       | 1.7 - 2.3 kg (3.7 - 5.1 lbs) |

- Due to our continuing program of research and development, the specifications herein are subject to change without notice.
- Specifications may differ from country to country.
- The weight does not include accessories but battery cartridge(s). The lightest and heaviest combination weight of the appliance and battery cartridge(s) are shown in the table.

## Applicable battery cartridge and charger

|                   |  |
|-------------------|--|
| Battery cartridge | BL4020* / BL4025* / BL4040* / BL4050F<br>* : Recommended battery |
| Charger           | DC40RA / DC40RB / DC40RC   |

- Some of the battery cartridges and chargers listed above may not be available depending on your region of residence.

**⚠WARNING:** Only use the battery cartridges and chargers listed above. Use of any other battery cartridges and chargers may cause injury and/or fire.

## SAFETY WARNINGS

# IMPORTANT SAFETY INSTRUCTIONS

When using an electrical appliance, basic precautions should always be followed, including the following:

**READ ALL  
INSTRUCTIONS  
BEFORE USING  
THIS APPLIANCE.**

## WARNING

To reduce the risk of fire, electric shock or injury:

1. **Do not leave appliance when battery fitted. Remove battery from appliance when not in use and before servicing.**
2. **Do not use on wet surfaces. Do not expose to rain. Store indoors.**
3. **Do not allow to be used as a toy. Close attention is necessary when used by or near children.**
4. **Use only as described in this manual. Use only manufacturer's recommended attachments.**
5. **Do not use with damaged battery. If appliance is not working as it should, has been dropped, damaged, left outdoors, or dropped into water, return it to a service center.**

6. **Do not handle appliance with wet hands.**
7. **Do not put any object into openings. Do not use with any opening blocked; keep free of dust, lint, hair, and anything that may reduce air flow.**
8. **Keep hair, loose clothing, fingers, and all parts of body away from openings and moving parts.**
9. **Turn off all controls before removing the battery cartridge.**
10. **Use extra care when cleaning on stairs.**
11. **Do not use to pick up flammable or combustible liquids, such as gasoline, or use in areas where they may be present.**
12. **Do not pick up anything that is burning or smoking, such as cigarettes, matches, or hot ashes.**
13. **Do not use without dust bag and/or filters in place.**
14. **Do not charge the battery outdoors.**
15. **Prevent unintentional starting. Ensure the switch is in the off-position before connecting to battery pack, picking up or carrying the appliance.** Carrying the appliance with your finger on the switch or energizing appliance that have the switch on invites accidents.
16. **Disconnect the battery pack from the appliance before making any adjustments, changing accessories, or storing appliance.** Such preventive safety measures reduce the risk of starting the appliance accidentally.
17. **Recharge only with the charger specified by the manufacturer.** A charger that is suitable for one type of battery pack may create a risk of fire when used with another battery pack.
18. **Use appliances only with specifically designated battery packs.** Use of any other battery packs may create a risk of injury and fire.
19. **When battery pack is not in use, keep it away from other metal objects, like paper clips, coins, keys, nails, screws or other small metal objects, that can make a connection from one terminal to another.** Shorting the battery terminals together may cause burns or a fire.
20. **Under abusive conditions, liquid may be ejected from the battery; avoid contact. If contact accidentally occurs, flush with water. If liquid contacts eyes, additionally seek medical help.** Liquid ejected from the battery may cause irritation or burns.
21. **Do not use a battery pack or appliance that is damaged or modified. Damaged or modified batteries may exhibit unpredictable behaviour resulting in fire, explosion or risk of injury.**
22. **Do not expose a battery pack or appliance to fire or excessive temperature. Exposure to fire or temperature above 130 °C may cause explosion.**
23. **Follow all charging instructions and do not charge the battery pack or appliance outside of the temperature range specified in the instructions.** Charging improperly or at temperatures outside of the specified range may damage the battery and increase the risk of fire.
24. **Have servicing performed by a qualified repair person using only identical replacement parts.** This will ensure that the safety of the product is maintained.
25. **Do not modify or attempt to repair the appliance or the battery pack except as indicated in the instructions for use and care.**

## **SAVE THESE INSTRUCTIONS.**

# ADDITIONAL SAFETY RULES

This appliance is intended for commercial use.

1. Read this instruction manual and the charger instruction manual carefully before use.
2. Do not vacuum the following:
  - Flammable liquid (kerosene, gasoline, solvents such as benzene, thinner, etc.)
  - Hot substances that are burning or smoking (cigarettes, matches, incense sticks, candles, hot ashes), sparks and metal dust generated by cutting or grinding metal, etc.
  - Flammable material (toner, paint, spray, etc.)
  - Foam like carpet cleaning agent, etc. (they may cause explosion or fire)
  - Explosive or pyrophoric substances (nitroglycerin, aluminum, magnesium, titanium, zinc, red phosphorus, yellow phosphorus, celluloid, etc. and their dust, gas or steam)
  - Sharp objects (glass, cutlery, wood splinter, metal, stone, nail, razor, push pin, etc.)
  - Solidifying and conductive fine powder (metal or carbon powder)
  - Dehumidifier
  - Large amount of powder (flour, fire extinguisher powder, etc.)
  - Substances that cause toxic symptoms
  - Aggressive chemicals (acid, leach, etc.)
  - Liquid or damp garbage, including vomit and excreta
  - Asbestos
  - Pesticides

Such action may cause fire, injury and/or property damage.

To reduce your exposure to these chemicals, always wear approved respiratory protection such as dust masks that are specially designed to filter out microscopic particles. Direct the exhaust air away from your face and body.

3. Stop operation immediately if you notice anything abnormal.
4. If you drop or strike the cleaner, check it carefully for cracks or damage before operation.
5. Do not bring close to stoves or other heat sources.
6. Do not block the intake hole or vent holes.

## SAVE THESE INSTRUCTIONS.

### Symbols

The followings show the symbols used for tool.

---

v volts

---

 direct current

---

## Important safety instructions for battery cartridge

1. Before using battery cartridge, read all instructions and cautionary markings on (1) battery charger, (2) battery, and (3) product using battery.
2. Do not disassemble or tamper the battery cartridge. It may result in a fire, excessive heat, or explosion.
3. If operating time has become excessively shorter, stop operating immediately. It may result in a risk of overheating, possible burns and even an explosion.
4. If electrolyte gets into your eyes, rinse them out with clear water and seek medical attention right away. It may result in loss of your eyesight.

5. **Do not short the battery cartridge:**
  - (1) **Do not touch the terminals with any conductive material.**
  - (2) **Avoid storing battery cartridge in a container with other metal objects such as nails, coins, etc.**
  - (3) **Do not expose battery cartridge to water or rain.**

**A battery short can cause a large current flow, overheating, possible burns and even a breakdown.**
6. **Do not store and use the tool and battery cartridge in locations where the temperature may reach or exceed 50 °C (122 °F).**
7. **Do not incinerate the battery cartridge even if it is severely damaged or is completely worn out. The battery cartridge can explode in a fire.**
8. **Do not nail, cut, crush, throw, drop the battery cartridge, or hit against a hard object to the battery cartridge. Such conduct may result in a fire, excessive heat, or explosion.**
9. **Do not use a damaged battery.**
10. **The contained lithium-ion batteries are subject to the Dangerous Goods Legislation requirements. For commercial transports e.g. by third parties, forwarding agents, special requirement on packaging and labeling must be observed. For preparation of the item being shipped, consulting an expert for hazardous material is required. Please also observe possibly more detailed national regulations. Tape or mask off open contacts and pack up the battery in such a manner that it cannot move around in the packaging.**
11. **When disposing the battery cartridge, remove it from the tool and dispose of it in a safe place. Follow your local regulations relating to disposal of battery.**
12. **Use the batteries only with the products specified by Makita. Installing the batteries to non-compliant products may result in a fire, excessive heat, explosion, or leak of electrolyte.**
13. **If the tool is not used for a long period of time, the battery must be removed from the tool.**
14. **During and after use, the battery cartridge may take on heat which can cause burns or low temperature burns. Pay attention to the handling of hot battery cartridges.**
15. **Do not touch the terminal of the tool immediately after use as it may get hot enough to cause burns.**
16. **Do not allow chips, dust, or soil stuck into the terminals, holes, and grooves of the battery cartridge. It may result in poor performance or breakdown of the tool or battery cartridge.**
17. **Unless the tool supports the use near high-voltage electrical power lines, do not use the battery cartridge near a high-voltage electrical power lines. It may result in a malfunction or breakdown of the tool or battery cartridge.**
18. **Keep the battery away from children.**

## SAVE THESE INSTRUCTIONS.

**⚠ CAUTION:** Only use genuine Makita batteries. Use of non-genuine Makita batteries, or batteries that have been altered, may result in the battery bursting causing fires, personal injury and damage. It will also void the Makita warranty for the Makita tool and charger.

### Tips for maintaining maximum battery life

1. **Charge the battery cartridge before completely discharged. Always stop tool operation and charge the battery cartridge when you notice less tool power.**
2. **Never recharge a fully charged battery cartridge. Overcharging shortens the battery service life.**
3. **Charge the battery cartridge with room temperature at 10 °C - 40 °C (50 °F - 104 °F). Let a hot battery cartridge cool down before charging it.**
4. **When not using the battery cartridge, remove it from the tool or the charger.**
5. **Charge the battery cartridge if you do not use it for a long period (more than six months).**

## FUNCTIONAL DESCRIPTION

**CAUTION:** Always be sure that the tool is switched off and the battery cartridge is removed before adjusting or checking function on the tool.

**CAUTION:** Take care not to trap finger(s) between cleaner and battery as shown in diagram when loading battery. Trapping finger(s) may cause injury.

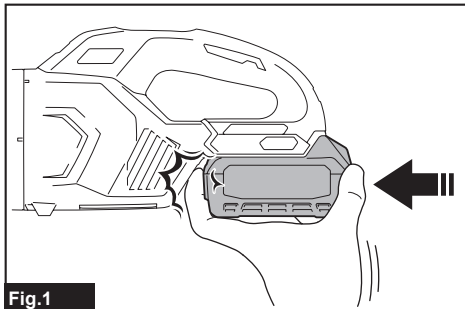


Fig.1

## Installing or removing battery cartridge

**CAUTION:** Always switch off the tool before installing or removing of the battery cartridge.

**CAUTION:** Hold the tool and the battery cartridge firmly when installing or removing battery cartridge. Failure to hold the tool and the battery cartridge firmly may cause them to slip off your hands and result in damage to the tool and battery cartridge and a personal injury.

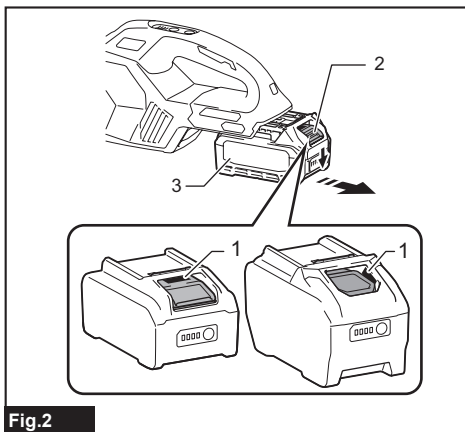


Fig.2

► 1. Red indicator 2. Button 3. Battery cartridge

To remove the battery cartridge, slide it from the tool while sliding the button on the front of the cartridge.

To install the battery cartridge, align the tongue on the battery cartridge with the groove in the housing and slip it into place. Insert it all the way until it locks in place with a little click. If you can see the red indicator as shown in the figure, it is not locked completely.

**CAUTION:** Always install the battery cartridge fully until the red indicator cannot be seen. If not, it may accidentally fall out of the tool, causing injury to you or someone around you.

**CAUTION:** Do not install the battery cartridge forcibly. If the cartridge does not slide in easily, it is not being inserted correctly.

## Battery protection system

The tool is equipped with a tool/battery protection system. This system automatically cuts off power to the motor to extend tool and battery life. The tool will automatically stop during operation if the tool or battery is placed under one of the following conditions.

### Overloaded:

The tool/battery is operated in a manner that causes it to draw an abnormally high current. In this situation, turn the tool off and stop the application that caused the tool to become overloaded. Then turn the tool on to restart.

If the tool does not start, the battery is overheated. In this situation, let the battery cool before turning the tool on again.

### Low battery voltage:

The remaining battery capacity is too low and the tool will not operate. In this situation, remove and recharge the battery.

## Indicating the remaining battery capacity

Press the check button on the battery cartridge to indicate the remaining battery capacity. The indicator lamps light up for a few seconds.

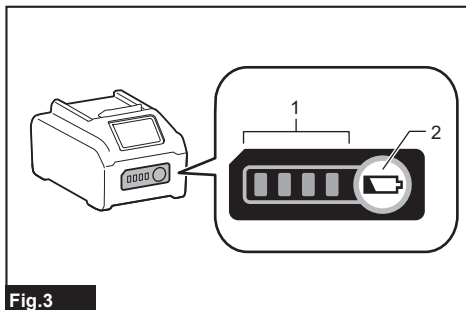


Fig.3

► 1. Indicator lamps 2. Check button

| Indicator lamps |         |          | Remaining capacity                  |
|-----------------|---------|----------|-------------------------------------|
| Lighted         | Off     | Blinking |                                     |
| ■               | □       | ▧        | 75% to 100%                         |
| ■ ■ ■ ■         |         |          |                                     |
| ■ ■ ■ ■         | □       |          | 50% to 75%                          |
| ■ ■ ■ ■         | □ □     |          | 25% to 50%                          |
| ■ ■ ■ ■         | □ □ □ □ |          | 0% to 25%                           |
| ▧               | □ □ □ □ |          | Charge the battery.                 |
| ■ ■ ■ ■         | □ □ □ □ |          | The battery may have malfunctioned. |
| □ □ □ □         | ■ ■ ■ ■ | ↑ ↓      |                                     |

**NOTE:** Depending on the conditions of use and the ambient temperature, the indication may differ slightly from the actual capacity.

**NOTE:** The first (far left) indicator lamp will blink when the battery protection system works.

## Switch action

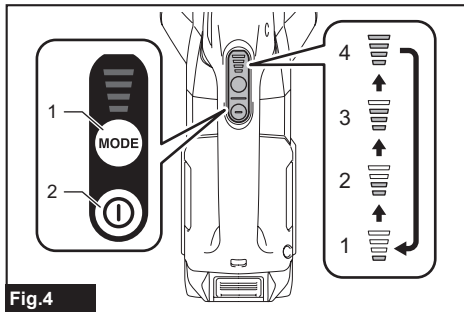


Fig.4

- 1. Suction power change button 2. ON/OFF button

To start the cleaner, simply push the ON/OFF button. To switch off, push the ON/OFF button again. You can change the suction power of the cleaner in four steps by pushing the suction power change button. Each push on this button repeats the Quiet/Normal/High/Max mode in a cycle.

| Level | Indication | Mode              |
|-------|------------|-------------------|
| 1     | ▧          | Quiet mode        |
| 2     | ▨          | Normal speed mode |
| 3     | ▩          | High speed mode   |
| 4     | ▪          | Max speed mode    |

**NOTE:** You can change the suction power before turning on the cleaner.

**NOTE:** The cleaner starts the operation with the same suction power as the last operation.

## Lighting up the lamp

**CAUTION:** Do not look in the light or see the source of light directly.

To turn on the lamp, push the suction power change button. The lamp goes off in approximately 10 seconds. While the cleaner is running, the lamp turns on. The lamp goes out approximately 10 seconds after stopping operation.

**NOTE:** When the remaining battery capacity gets low, the lamp starts blinking. The timing, at which the lamp starts blinking depends on the temperature at work place and the battery cartridge conditions.

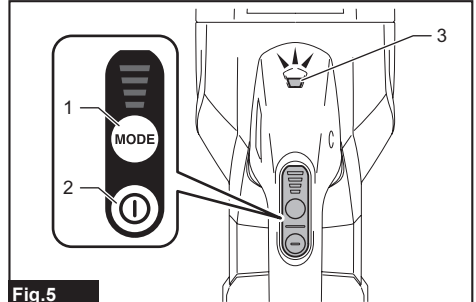


Fig.5

- 1. Suction power change button 2. ON/OFF button 3. Lamp

## ASSEMBLY

**CAUTION:** Always be sure that the tool is switched off and the battery cartridge is removed before carrying out any work on the tool.

## Parts description

### Optional accessory

## High performance filter and stay and sponge filter

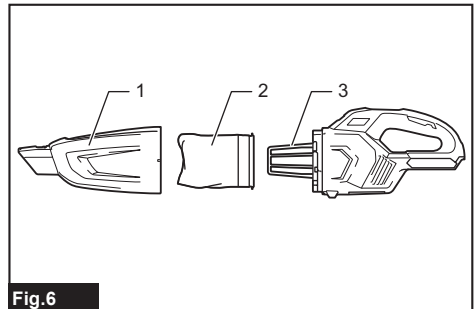
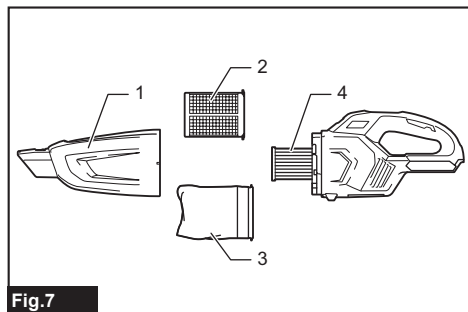


Fig.6

- 1. Capsule 2. High performance filter 3. Stay and sponge filter

## Pre-filter or high performance filter and HEPA filter

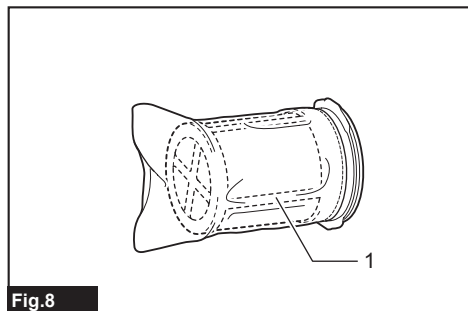


- 1. Capsule 2. Pre-filter 3. High performance filter  
4. HEPA filter

**NOTICE:** Do not use the high performance filter with the filter (optional accessory). The high performance filter may become unremovable from the cleaner.

**NOTE:** When using the optional prefilter and filter with the HEPA filter, use only the prefilter over the HEPA filter. If you use prefilter and filter with the HEPA filter at the same time, the suction power may be reduced.

**NOTE:** When using the HEPA filter with the high performance filter, use the high performance filter with the stay.



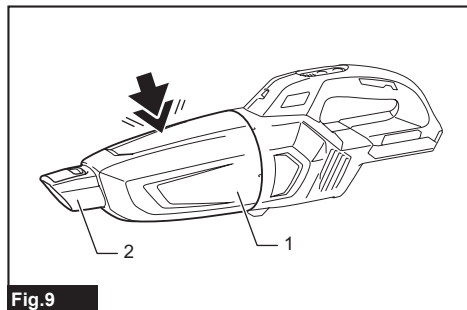
- 1. Stay

## Disposing of dust

**CAUTION:** Empty the cleaner before it becomes too full, or the suction force weakens.

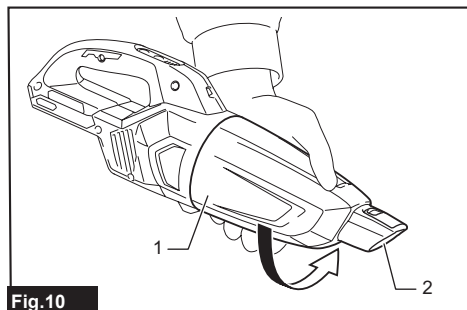
**CAUTION:** Be sure to empty the inside of the cleaner itself of dust. Failure to do so may cause the filter to be clogged or the motor to be damaged.

In order to drop dust sticking on the filter in the capsule, tap the capsule 4 or 5 times with your hand.



- 1. Capsule 2. Suction inlet

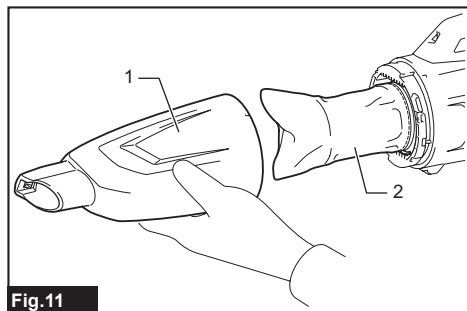
Point suction inlet downwards, turn capsule in direction of arrow in diagram, and disconnect capsule slowly and straight.



- 1. Capsule 2. Suction inlet

**NOTE:** Dust may spill out when capsule is opened, so be sure to set a garbage bag beneath capsule.

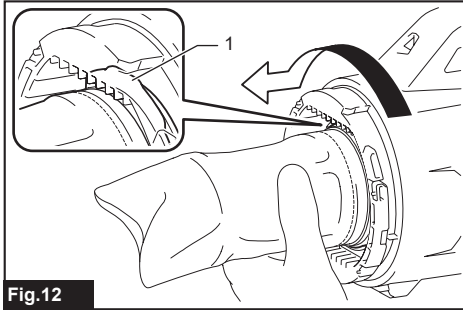
Remove accumulated dust from the inside of capsule and high performance filter.



- 1. Capsule 2. High performance filter



Twist high performance filter in direction of arrow to unfasten securing lip from cleaner unit and then pull off the filter.



**Fig.12**

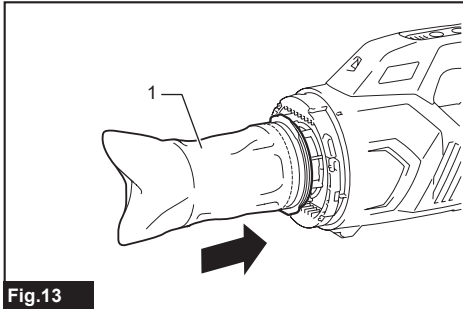
► 1. Securing lip

**NOTE:** When using the prefilter, also follow the procedure above.

Clean out the fine dust and lightly tap to dislodge dust from high performance filter.

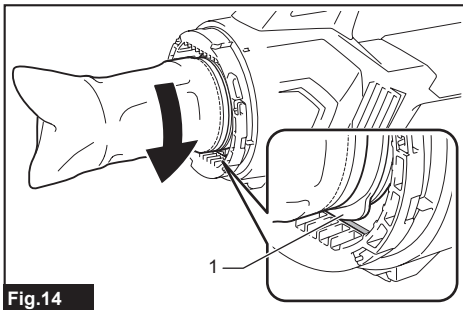
## Reassembly

Connect high performance filter. At this time, make sure to twist high performance filter so that securing lip is firmly locked into the cleaner unit.



**Fig.13**

► 1. High performance filter

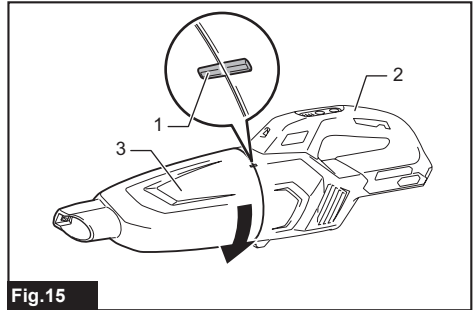


**Fig.14**

► 1. Securing lip

**NOTICE:** Always be sure to check that high performance filter is loaded correctly prior to using cleaner. If they are not loaded correctly, dust will get into the motor housing, and cause motor failure. If the problem as described later occurs, high performance filter is not loaded correctly. Reload them correctly to rectify problem.

Attach the capsule. Align the mark on capsule with the mark on the handle and then firmly twist capsule in the direction of arrow until it is secured.



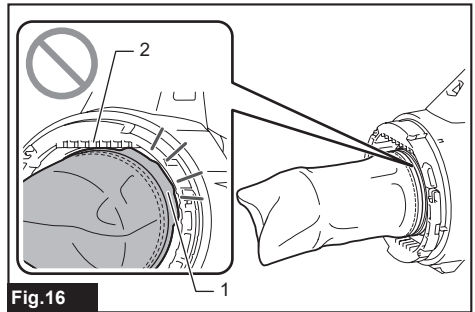
**Fig.15**

► 1. Mark 2. Handle 3. Capsule

**NOTE:** Always remove dust ahead of time, as suction power will be reduced if there is too much dust in cleaner.

## Problem Example

The securing lip of high performance filter is not firmly locked into groove of cleaner housing.



**Fig.16**

► 1. Securing lip 2. Groove of cleaner housing

## Installing or removing stay / HEPA filter

### Optional accessory

### For the stay and sponge filter

To remove the stay, push up the bottom part of pillars of the stay with your fingers and release its groove from the protrusion on the cleaner. After that, remove the sponge filter.

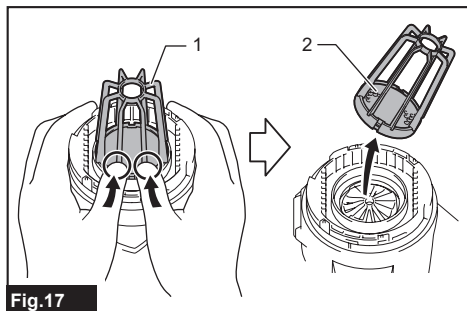


Fig.17

► 1. Stay 2. Sponge filter

To install, align the grooves on the stay with the protrusion on the cleaner and push until it clicks. Insert the sponge filter between the pillars and set it in the original position.

### For the HEPA filter

When installing the HEPA filter, fit the groove of the HEPA filter with the protrusion on the cleaner. Then, put the prefilter or the high performance filter on the HEPA filter and twist it to secure. To remove, follow the installation procedure in reverse.

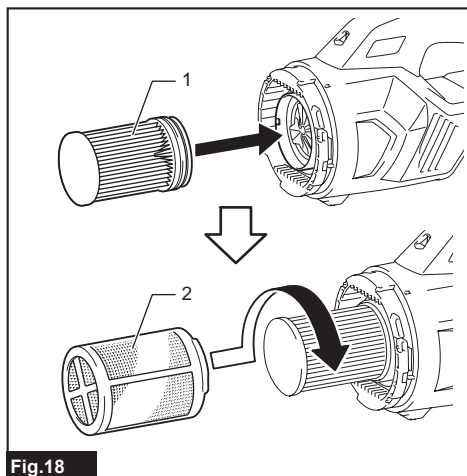


Fig.18

► 1. HEPA filter 2. Prefilter

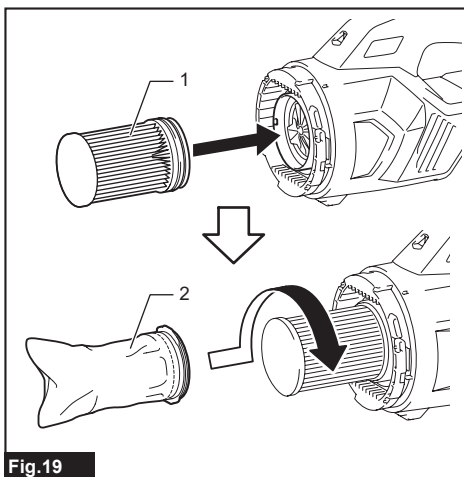


Fig.19

► 1. HEPA filter 2. High performance filter

## OPERATION

**CAUTION:** Do not move your face close to the air vent when operating the cleaner. If foreign objects are blown into eyes, it may result in personal injury.

### Installing or removing the cleaner attachment

**CAUTION:** After installing attachment, check if it is securely installed. If the attachment is installed imperfectly, it may come off and cause personal injury.

**CAUTION:** Be careful not to hit your hand on the wall etc. when removing the attachment.

### When using attachment with lock function

To install attachment, insert it to the suction inlet of the cleaner until it clicks. Make sure that the attachment is locked.

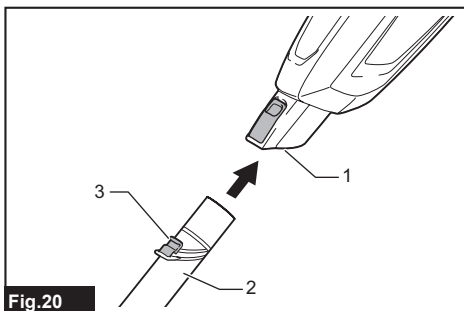
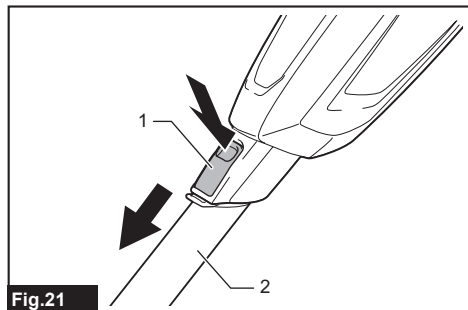


Fig.20

► 1. Suction inlet 2. Attachment with lock function 3. Hook

**NOTE:** When installing the attachment with lock function, be sure to align the release button with the hook on the attachment. If they are not aligned, the wand will not be locked and may come off from the cleaner.

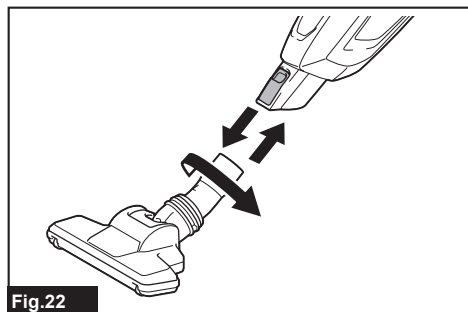
To remove, pull the attachment while pushing the release button.



► 1. Release button 2. Attachment with lock function

## When using attachment without lock function

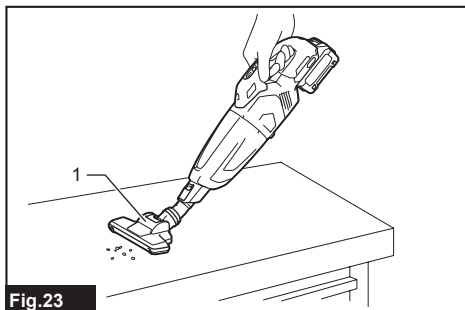
**CAUTION:** To connect attachment without lock function, twist and insert it in direction of the arrow to secure the connection during use. To disconnect the attachment, twist and extract it also in direction of the arrow. If the attachment is twisted in the opposite direction, the capsule may become loose.



## Cleaning (Suction)

### Nozzle

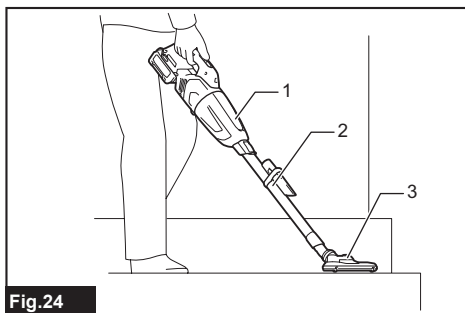
Attach the nozzle to clean off tables, desks, furniture, etc. The nozzle slips on easily.



► 1. Nozzle

### Nozzle + Extension wand (Straight pipe)

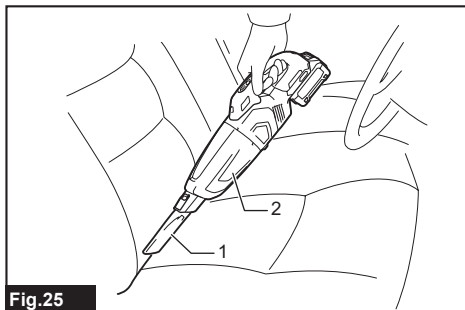
The extension wand fits in between the nozzle and the cleaner itself. This arrangement is convenient for cleaning a floor in a standing position.



► 1. Cleaner body 2. Extension wand 3. Nozzle

### Corner nozzle

Fit on the corner nozzle for cleaning corners and crevices of a car or furniture.



► 1. Corner nozzle 2. Cleaner body

You can store the corner nozzle in the nozzle holder.

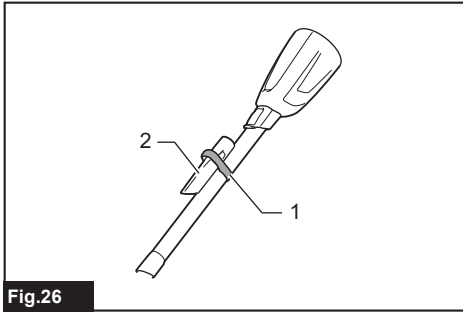


Fig.26

► 1. Nozzle holder 2. Corner nozzle

**CAUTION:** Be careful not to trap finger(s) between the corner nozzle and the nozzle holder. Trapping finger(s) may cause injury.

### Corner nozzle + Extension wand (Straight pipe)

In tight quarters where the cleaner itself cannot squeeze in, or in high places hard to reach, use this arrangement.

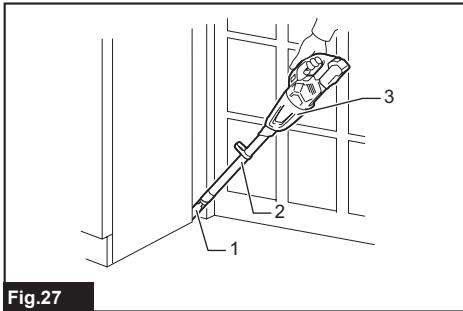


Fig.27

► 1. Corner nozzle 2. Extension wand 3. Cleaner body

### Cleaning without nozzle

You can pick up powder and dust without nozzle.

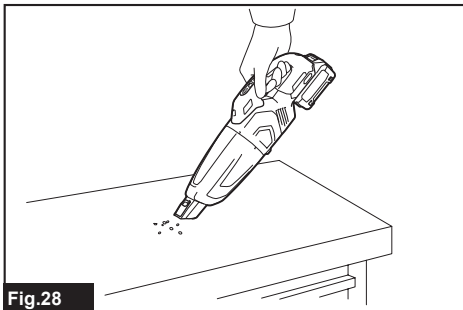


Fig.28

For picking up dust on a floor in a standing position, it is convenient to attach the extension wand to the cleaner.

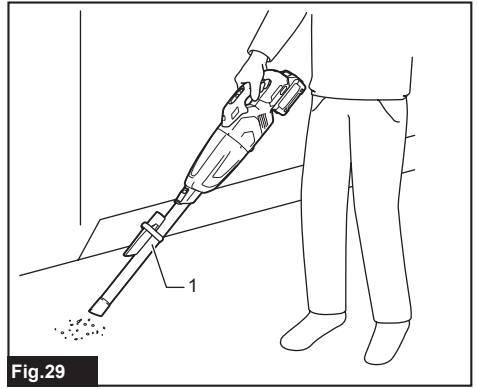


Fig.29

► 1. Extension wand

## MAINTENANCE

**CAUTION:** Always be sure that the tool is switched off and the battery cartridge is removed before attempting to perform inspection or maintenance.

To maintain product SAFETY and RELIABILITY, repairs, any other maintenance or adjustment should be performed by Makita Authorized or Factory Service Centers, always using Makita replacement parts.

### After use

**CAUTION:** Putting the cleaner against the wall without any other support may cause the cleaner to fall down, resulting in personal injury or damage to the cleaner.

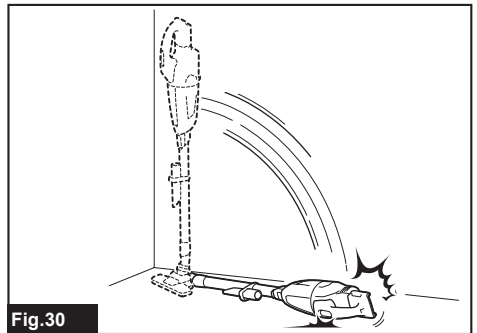


Fig.30

## Cleaning

**NOTICE:** Never use gasoline, benzine, thinner, alcohol or the like. Discoloration, deformation or cracks may result.

**NOTICE:** Do not blow dust sticking on the cleaner and filters by air duster. It brings dust into the housing and causes failure.

**NOTICE:** After washing filters, dry them thoroughly before use. Insufficiently dried filters may cause poor suction and shorten the service life of the motor.

**NOTICE:** After cleaning filters and sponge filter, be sure to re-install them before use. If you use the cleaner without filters and sponge filter, dust comes into the motor housing and cause malfunction.

## Cleaner body

From time to time wipe off the outside (cleaner body) of the cleaner using a cloth dampened in soapy water. Clean out also the suction opening and filter mounting area.

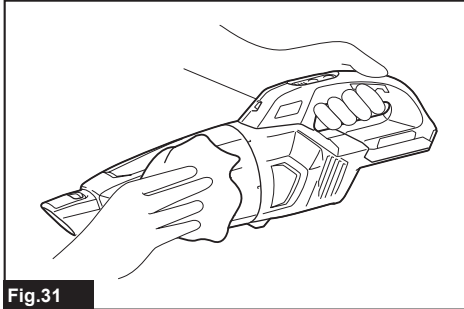


Fig.31

## High performance filter

Wash the filter in soapy water when it is clogged with dust and the cleaner power becomes weak. Dry it out thoroughly before use.

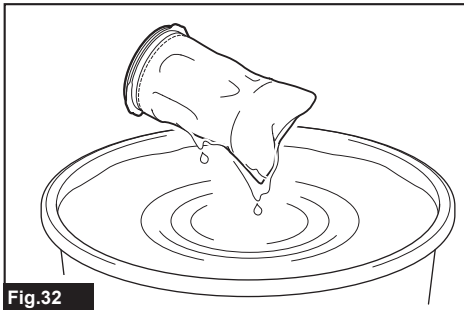


Fig.32

## HEPA filter

### Optional accessory

**NOTICE:** Do not rub or scratch the HEPA filter with hard objects such as a brush and a paddle.

Clogged HEPA filter cause poor suction performance. Clean out the filter from time to time.

Occasionally wash the HEPA filter in water, rinse and dry thoroughly in the shade before use. Never wash the filter in a washing machine.

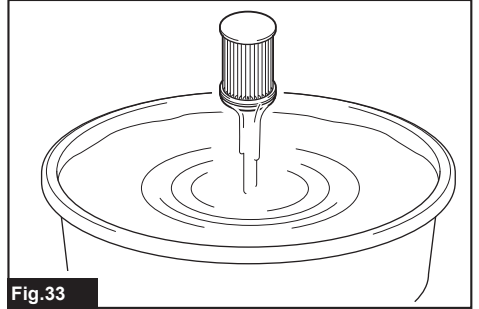


Fig.33

## Sponge filter

When the sponge filter becomes dirty, clean it as follows.

1. Remove the filter.
2. Pull out the sponge filter from between the pillars.
3. Clean the sponge filter by tapping or washing. If you wash it, dry it out thoroughly before use.

4. Insert the sponge filter between the pillars and set it in the original position. Make sure that each bottom edge of the pillar holds down the sponge filter, and there is no gap between the sponge filter and suction opening.

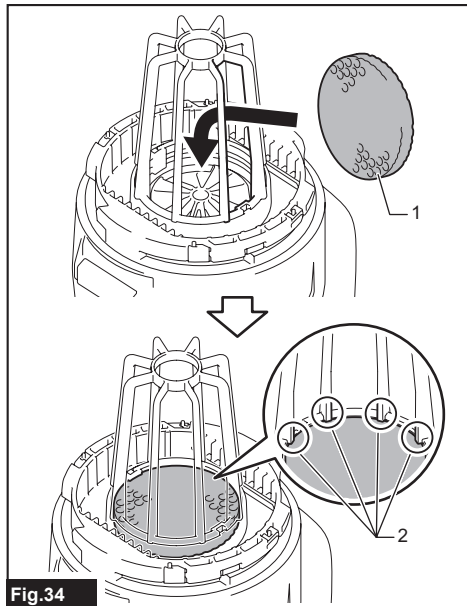


Fig.34

► 1. Sponge filter 2. Bottom edge of pillar

## Wall mount for cordless cleaner

### Optional accessory

**NOTE:** The screw to mount the holder is not included. Prepare a screw which fits with the material to screw into.

Attach the wall mount for cordless cleaner to a hard wooden wall, beam or column, where the wall mount for cordless cleaner can be firmly secured. Always be sure that the wall mount for cordless cleaner is securely attached before hanging the cleaner.

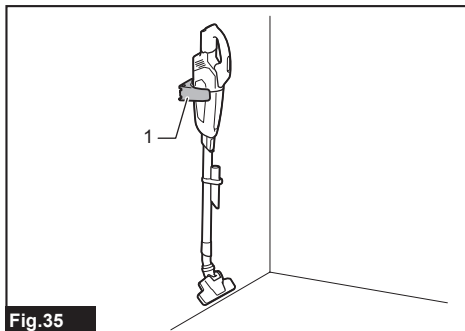


Fig.35

► 1. Wall mount for cordless cleaner

**CAUTION:** Do not hang the cleaner to the wall mount violently or hang other appliances than the cleaner.

## Troubleshooting

Before asking for repairs, check the following points.

| Symptom             | Area to be investigated   | Fixing method   |
|---------------------|---|---|
| Weak suction power  | Is the capsule full of dust?                                      | Empty the capsule of dust.  |
|                     | Is the filter clogged?  | Clean or wash the filter.   |
|                     | Is the battery cartridge discharged?                              | Charge the battery cartridge.   |
| Not working         | Is the battery cartridge discharged?                              | Charge the battery cartridge.   |
| Noise and vibration | Is the filter clogged?  | Clean or wash the filter.   |
|                     | Is the nozzle, pipe or suction inlet of the appliance is clogged? | Remove the clogged objects in the nozzle, pipe or suction inlet of the appliance. |
|                     | Is the nozzle/pipe inlet blocked?                                 | Do not block the nozzle/pipe inlet.   |

**CAUTION:** Do not attempt to repair the cleaner by yourself.

## OPTIONAL ACCESSORIES

**CAUTION:** These accessories or attachments are recommended for use with your Makita tool specified in this manual. The use of any other accessories or attachments might present a risk of injury to persons. Only use accessory or attachment for its stated purpose.

If you need any assistance for more details regarding these accessories, ask your local Makita Service Center.

- Extension wand (Straight pipe)
- Nozzle
- Nozzle for carpet
- Shelf brush
- Corner nozzle
- Round brush
- Flexible hose
- Filter
- Prefilter
- High performance filter
- HEPA filter
- Free nozzle
- Seat nozzle
- Crevice nozzle
- Wall mount for cordless cleaner
- Cyclone attachment
- Tool bag
- Makita genuine battery and charger

**NOTE:** Some items in the list may be included in the tool package as standard accessories. They may differ from country to country.

## Cyclone attachment

### Optional accessory

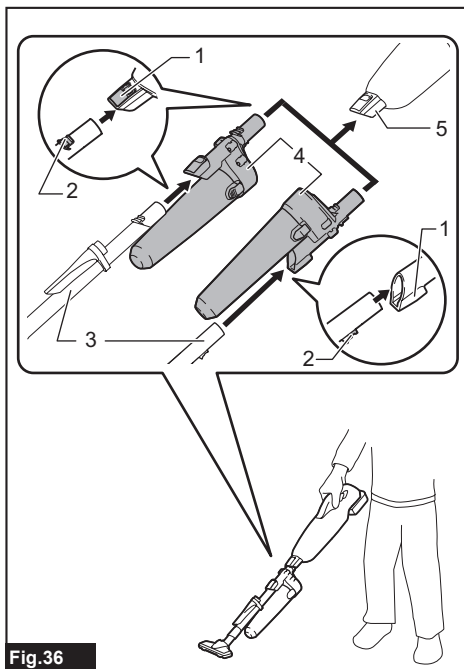


Fig.36

- ▶ 1. Release button 2. Hook 3. Straight pipe
- 4. Cyclone attachment 5. Suction inlet

## About the cyclone attachment

Using the cleaner with the cyclone attachment installed reduces the amount of dust that enters the capsule, which helps to prevent the suction force from weakening. In addition, cleaning after use is also simple.

**CAUTION:** Always be sure that the tool is switched off and the battery cartridge is removed before carrying out any work on the tool. If the battery cartridge is left inserted, the cleaner may start unexpectedly and result in injury.

**CAUTION:** Clean the mesh filter of the cyclone attachment and the filters of the cleaner unit when they become clogged. Continued use in the clogged condition may result in heating or smoke.

**NOTICE:** When the cyclone attachment is attached, do not use the cleaner in a horizontal or upward facing position. Doing so may cause the mesh filter to become clogged.

**NOTICE:** Always use the cleaner with the filters installed, even when using the cyclone attachment. Using the cleaner without the filters installed may result in a motor malfunction.

**NOTE:** Check that the cyclone attachment, cleaner, and straight pipe are locked properly before use.

**NOTE:** Empty the dust case of the cyclone attachment and the capsule of the cleaner when dust has accumulated. Continued use will result in weakened suction force.

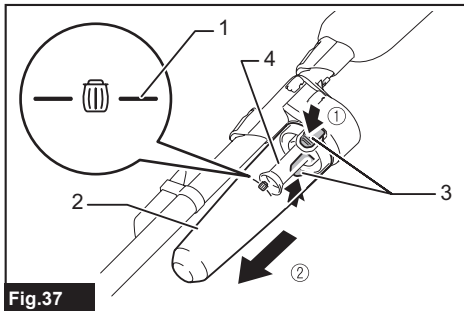
**NOTE:** You can also use the cyclone attachment without lock function.

**NOTE:** To install or remove the cyclone attachment, refer to the section "Installing or removing the cleaner attachment".

## Disposing of dust

When dust has accumulated up to the full line of the dust case, follow the procedure below and dispose of the dust.

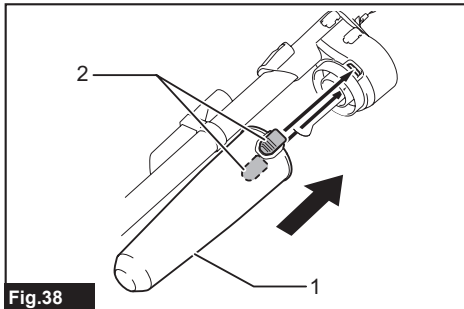
1. Hold the dust case firmly, press and hold the two buttons, and remove the dust case.



**Fig.37**

- 1. Full line 2. Dust case 3. Button (two locations)  
4. Mesh filter

2. Dispose of the dust inside the dust case and remove any dust and powder adhered to the surface of the mesh filter.
3. Insert the dust case all the way until the two buttons lock with a click.



**Fig.38**

- 1. Dust case 2. Button (two locations)

**NOTE:** Check that the cyclone attachment, cleaner, and straight pipe are locked properly before restarting operation.

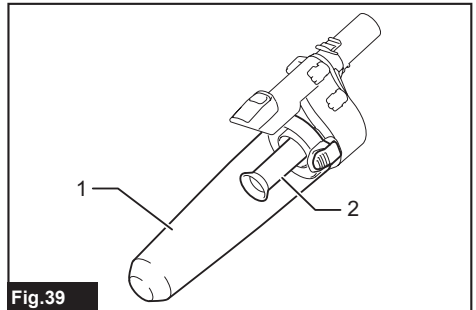
**NOTE:** If the suction force does not recover even after disposing of the dust and cleaning the mesh filter, check whether dust has accumulated in the capsule of the cleaner or clogging has occurred.

**NOTE:** The dust may fly up when disposing from the cyclone attachment. Be careful not to let dust get into your eyes.

## Cleaning

When the dust case becomes dirty or the mesh filter is clogged, remove and wash them with water. (Refer to "Disposing of dust" for the removal procedure.)

Dry the parts thoroughly before reinstallation and use.

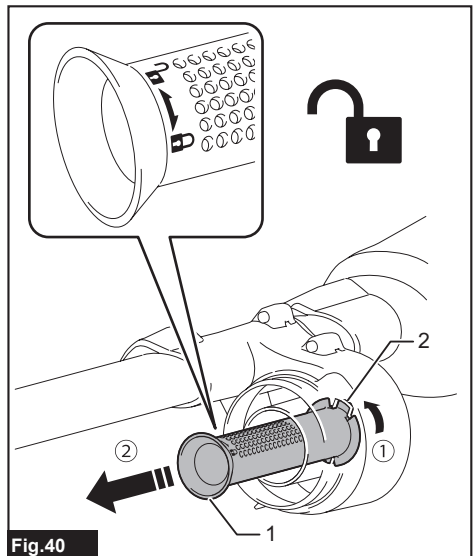


**Fig.39**

- 1. Dust case 2. Mesh filter

When the mesh filter gets dirty badly, clean it in the following procedures.

1. Turn the mesh filter counterclockwise and remove it while the hooks are unlocked.



**Fig.40**

- 1. Mesh filter 2. Hook

2. Remove the dust on the mesh filter and then wash it with water. After that, dry it thoroughly.



3. Insert the mesh filter into the base while the hooks are aligned with the port. Turn the mesh filter clockwise until the hooks are locked with a click. Make sure that the mesh filter is installed securely.

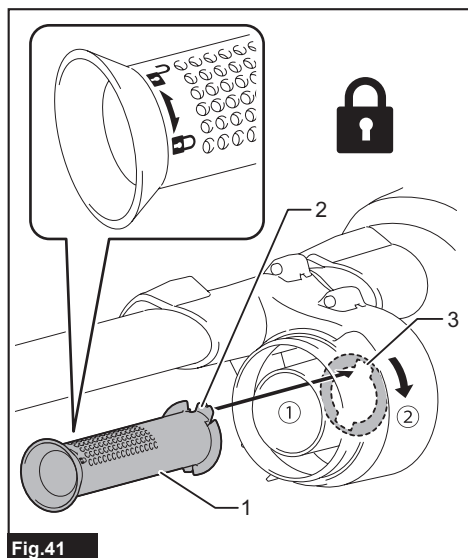


Fig.41

► 1. Mesh filter 2. Hook 3. Port

## MAKITA LIMITED WARRANTY

Please refer to the annexed warranty sheet for the most current warranty terms applicable to this product. If annexed warranty sheet is not available, refer to the warranty details set forth at below website for your respective country.

United States of America: [www.makitatools.com](http://www.makitatools.com)

Canada: [www.makita.ca](http://www.makita.ca)

Other countries: [www.makita.com](http://www.makita.com)

## SPÉCIFICATIONS

|  |                          |                              |
|--|--------------------------|------------------------------|
| Modèle :                                       |                          | CL001G                       |
| Capacité                                       |                          | 730 ml                       |
| Utilisation continue<br>(avec batterie BL4025) | 1 (mode silencieux)      | Environ 80 min               |
|  | 2 (mode vitesse normale) | Environ 40 min               |
|  | 3 (mode vitesse élevée)  | Environ 25 min               |
|  | 4 (mode vitesse max.)    | Environ 16 min               |
| Longueur hors-tout (avec batterie BL4025)      |                          | 1 066 mm (42")               |
| Tension nominale                               |                          | C.C. 36 V - 40 V max.        |
| Poids net                                      |                          | 1,7 - 2,3 kg (3,7 - 5,1 lbs) |

- Étant donné l'évolution constante de notre programme de recherche et développement, les spécifications contenues dans ce manuel sont sujettes à modification sans préavis.
- Les spécifications peuvent varier suivant les pays.
- Le poids ne comprend pas les accessoires autres que la/les batterie(s). Les combinaisons la plus légère et la plus lourde d'appareil et de batterie(s) sont indiquées dans le tableau.

## Batteries et chargeurs applicables

|          |   |
|----------|---|
| Batterie | BL4020* / BL4025* / BL4040* / BL4050F<br>* : Batterie recommandée |
| Chargeur | DC40RA / DC40RB / DC40RC  |

- Suivant la région où vous habitez, il se peut que certaines des batteries et certains des chargeurs énumérés ci-dessus ne soient pas disponibles.

**⚠ MISE EN GARDE :** Utilisez exclusivement les batteries et chargeurs énumérés ci-dessus. L'utilisation de toute autre batterie ou tout autre chargeur peut entraîner une blessure et/ou un incendie.

## CONSIGNES DE SÉCURITÉ

## IMPORTANTES CONSIGNES DE SÉCURITÉ

Lors de l'utilisation d'un appareil électrique, vous devez toujours prendre des précautions de base, dont les suivantes :

**CONSERVEZ CES  
INSTRUCTIONS.**

## MISE EN GARDE

Pour réduire les risques d'incendie, de décharge électrique et de blessure :

1. **Ne quittez pas l'appareil alors que la batterie y est insérée. Retirez la batterie de l'appareil lorsqu'il n'est pas utilisé et avant de le faire réparer.**
2. **Ne l'utilisez pas sur des surfaces mouillées. Ne l'exposez pas à la pluie. Rangez-le à l'intérieur.**
3. **Ne laissez pas les enfants l'utiliser comme jouet. Une attention particulière est nécessaire lors de l'utilisation par les enfants ou près d'eux.**
4. **Utilisez l'outil uniquement de la façon décrite dans ce manuel. Utilisez uniquement les accessoires recommandés par le fabricant.**

5. **Ne l'utilisez pas avec une batterie endommagée. Si l'appareil ne fonctionne pas bien, s'il a été échappé, endommagé, laissé à l'extérieur ou échappé dans l'eau, retournez-le à un centre de service après-vente.**
6. **Ne manipulez pas l'appareil avec les mains mouillées.**
7. **Ne mettez rien dans les ouvertures. N'utilisez jamais l'outil si une des ouvertures est bouchée ; gardez ces dernières exemptes de poussières, charpies, cheveux ou tout objet pouvant réduire la circulation de l'air.**
8. **Gardez les cheveux, les vêtements amples, les doigts et toute autre partie du corps à l'écart des ouvertures et des pièces en mouvement.**
9. **Mettez toutes les commandes hors tension avant de retirer la batterie.**
10. **Soyez tout particulièrement prudent lorsque vous nettoyez sur les marches d'un escalier.**
11. **Ne l'utilisez pas pour aspirer des liquides inflammables ou combustibles tels que l'essence, ou dans des zones où de tels liquides peuvent être présents.**
12. **N'aspirez pas d'objets qui brûlent ou dégagent de la fumée, tels que des cigarettes, des allumettes ou des cendres encore chaudes.**
13. **Ne l'utilisez pas sans avoir mis en place le sac à poussière et/ou les filtres.**
14. **Ne chargez pas la batterie à l'extérieur.**
15. **Évitez le démarrage accidentel. Assurez-vous que l'interrupteur est sur la position d'arrêt avant de connecter la batterie, de ramasser l'appareil ou de le transporter. Transporter l'appareil avec le doigt sur l'interrupteur, ou mettre l'appareil sous tension avec l'interrupteur en position de marche ouvre la porte aux accidents.**
16. **Déconnectez la batterie de l'appareil avant d'effectuer tout réglage, de remplacer les accessoires ou de ranger l'appareil. Ces mesures de sécurité préventives réduiront le risque de démarrage accidentel de l'appareil.**
17. **Ne rechargez la batterie qu'avec le chargeur spécifié par le fabricant. Un chargeur adéquat pour un type donné de batterie peut entraîner un risque d'incendie lorsque utilisé avec un autre type de batterie.**
18. **Utilisez les appareils uniquement avec les batteries spécifiquement désignées. L'utilisation de toute autre batterie peut entraîner un risque de blessure et d'incendie.**
19. **Lorsque la batterie n'est pas utilisée, gardez-la à l'écart des autres objets métalliques tels que trombones, pièces de monnaie, clés, clous, vis et autres petits objets métalliques qui peuvent établir une connexion entre deux bornes. Le court-circuitage des bornes de batterie peut causer des brûlures ou un incendie.**
20. **Dans des conditions d'utilisation abusives, du liquide peut être éjecté de la batterie; évitez tout contact. En cas de contact accidentel, rincez à l'eau. Si le liquide entre en contact avec les yeux, consultez aussi un médecin. Le liquide éjecté de la batterie peut causer de l'irritation ou des brûlures.**
21. **N'utilisez pas une batterie ou un appareil endommagé ou modifié. Les batteries endommagées ou modifiées peuvent avoir un comportement imprévisible dont peuvent résulter un incendie, une explosion ou un risque de blessure.**
22. **N'exposez pas une batterie ou un appareil au feu ou à une température excessive. L'exposition au feu ou à une température supérieure à 130 °C peut entraîner une explosion.**
23. **Respectez toutes les instructions de charge, et ne chargez pas la batterie ou l'appareil hors de la plage de température spécifiée dans les instructions. Charger de manière inadéquate ou à des températures hors de la plage spécifiée peut endommager la batterie et fait augmenter le risque d'incendie.**

24. L'entretien doit être confié à un réparateur qualifié et n'utilisant que des pièces de rechange identiques aux pièces d'origine. Cela assurera le maintien du produit dans un état sécuritaire.
25. **Ne modifiez pas ou n'essayez pas de réparer l'appareil ou la batterie autrement que tel qu'indiqué dans les instructions d'utilisation et d'entretien.**

## CONSERVEZ CES INSTRUCTIONS.

### RÈGLES DE SÉCURITÉ SUPPLÉMENTAIRES

Cet appareil est conçu pour un usage commercial.

1. Lisez attentivement ce mode d'emploi et le mode d'emploi du chargeur avant d'utiliser l'appareil.
2. N'utilisez pas l'appareil pour aspirer les matières suivantes :
  - Liquides inflammables (kérosène, essence, solvants tels que benzine, diluant, etc.)
  - Substances chaudes qui brûlent ou dégagent de la fumée (cigarettes, allumettes, bâtons d'encens, chandelles, cendres chaudes), étincelles et poussières métalliques générées par la coupe ou le meulage du métal, etc.
  - Matières inflammables (encre en poudre, peinture, substance vaporisée, etc.)
  - Mousses telle qu'agent de nettoyage pour tapis, etc. (elles peuvent causer une explosion ou un incendie)
  - Substances explosives ou pyrophoriques (nitroglycérine, aluminium, magnésium, titane, zinc, phosphore rouge, phosphore jaune, celluloïd, etc., et leurs poussières, gaz ou vapeurs)

- Objets tranchants (verre, coutellerie, éclat de bois, métal, pierre, clou, rasoir, punaise, etc.)
- Poudre fine solidifiante et conductrice (poudre de métal ou de carbone)
- Déshydrateur
- Grande quantité de poudre (farine, poudre d'extincteur, etc.)
- Substances qui causent des symptômes d'intoxication
- Produits chimiques corrosifs (acide, lixiviat, etc.)
- Déchets liquides ou humides, y compris vomi et excréments
- Amiante
- Pesticides

Ces applications peuvent causer un incendie, une blessure et/ou des dommages matériels.

Pour réduire le risque d'exposition à ces produits chimiques, portez toujours des dispositifs de protection respiratoire approuvés, tels que des masques antipoussières spécialement conçus pour filtrer les particules microscopiques. Dirigez l'air évacué loin de votre visage et de votre corps.

3. Arrêtez immédiatement votre outil dès que vous observez quelque chose d'anormal.
4. Si vous échappez ou heurtez l'aspirateur, vérifiez soigneusement l'absence de fissures ou dommages avant de l'utiliser à nouveau.
5. Ne l'approchez pas du four ni de toute autre source de chaleur.
6. N'obstruez pas le trou d'admission ou les trous d'évent.

## CONSERVEZ CES INSTRUCTIONS.

### Symboles

Les symboles utilisés pour l'outil sont indiqués ci-dessous.

|       |                 |
|-------|-----------------|
| v     | volts           |
| — — — | courant continu |

# Consignes de sécurité importantes pour la batterie

1. Avant d'utiliser la batterie, lisez toutes les instructions et les mises en garde apposées sur (1) le chargeur de batterie, (2) la batterie et (3) le produit utilisant la batterie.
2. Ne démontez pas et ne modifiez pas la batterie. Cela peut entraîner un incendie, une chaleur excessive ou une explosion.
3. Si la durée de fonctionnement diminue considérablement, cessez immédiatement l'utilisation. Cela comporte un risque de surchauffe et de brûlures, voire d'explosion.
4. Si l'électrolyte pénètre dans vos yeux, rincez-les à l'eau limpide et consultez immédiatement un médecin. Il existe un risque de perte de la vue.
5. Ne court-circuitez pas la batterie :
  - (1) Ne touchez les bornes avec aucun matériau conducteur.
  - (2) Évitez de ranger la batterie dans un contenant avec d'autres objets métalliques tels que des clous, des pièces de monnaie, etc.
  - (3) Évitez d'exposer la batterie à l'eau ou à la pluie.

Un court-circuit de la batterie pourrait provoquer un fort courant, une surchauffe, parfois des brûlures et même une panne.
6. Ne rangez pas et n'utilisez pas l'outil ou la batterie dans des emplacements où la température peut atteindre ou dépasser 50 °C (122 °F).
7. Ne jetez pas la batterie au feu même si elle est sérieusement endommagée ou complètement épuisée. La batterie peut exploser au contact du feu.
8. Évitez de clouer, de couper, d'écraser, de lancer ou d'échapper la batterie, ou de heurter un objet dur contre la batterie. Cela peut entraîner un incendie, une chaleur excessive ou une explosion.
9. N'utilisez pas une batterie si elle est endommagée.
10. Les batteries lithium-ion fournies sont soumises aux exigences de la législation sur les marchandises dangereuses.

Des exigences particulières sur l'emballage et l'étiquetage doivent être respectées lors du transport commercial par des tiers, des transitaires, etc.

Pour préparer la marchandise à expédier, consultez un expert en matériaux dangereux si nécessaire. Respectez aussi les éventuelles réglementations nationales plus détaillées.

Recouvrez de ruban isolant les contacts exposés et emballez la batterie de sorte qu'elle ne puisse pas se déplacer à l'intérieur de l'emballage.
11. Lors de l'élimination de la batterie, retirez-la de l'outil et éliminez-la dans un endroit sûr. Respectez la réglementation locale concernant l'élimination de la batterie.
12. N'utilisez les batteries qu'avec les produits spécifiés par Makita. Installer les batteries sur des produits non conformes peut entraîner un incendie, une chaleur excessive, une explosion ou une fuite d'électrolyte.
13. Si l'outil reste inutilisé pour une période prolongée, la batterie doit en être retirée.
14. Pendant et après l'utilisation, la batterie peut accumuler de la chaleur, ce qui peut causer des brûlures ou des brûlures à basse température. Faites attention lors de la manipulation des batteries chaudes.

15. **Ne touchez pas la borne de l'outil immédiatement après l'utilisation, car elle peut être assez chaude pour causer des brûlures.**
16. **Ne laissez pas les copeaux, les poussières ou la terre se coincer dans les bornes, les trous et les rainures de la batterie. Cela peut entraîner un fonctionnement médiocre ou une panne de l'outil ou de la batterie.**
17. **À moins que l'outil ne soit compatible avec l'utilisation à proximité des lignes électriques haute tension, n'utilisez pas la batterie à proximité d'une ligne électrique haute tension. Cela peut entraîner un dysfonctionnement ou une panne de l'outil ou de la batterie.**
18. **Gardez la batterie à l'écart des enfants.**

## CONSERVEZ CES INSTRUCTIONS.

**⚠ATTENTION :** Utilisez exclusivement les batteries fabriquées par Makita. Les batteries autres que celles fabriquées par Makita ou les batteries modifiées peuvent exploser et causer un incendie, une blessure ou des dommages. Cela annule aussi la garantie Makita de l'outil et du chargeur Makita.

### Conseils pour maintenir la durée de service maximale de la batterie

1. **Rechargez la batterie avant qu'elle ne soit complètement déchargée. Arrêtez toujours l'outil et rechargez la batterie quand vous remarquez que la puissance de l'outil diminue.**
2. **Ne rechargez jamais une batterie complètement chargée. La surcharge réduit la durée de service de la batterie.**
3. **Chargez la batterie à une température ambiante comprise entre 10 °C et 40 °C (50 °F et 104 °F). Si la batterie est chaude, laissez-la refroidir avant de la charger.**
4. **Lorsque vous n'utilisez pas la batterie, retirez-la de l'outil ou du chargeur.**
5. **Chargez la batterie si elle est restée inutilisée pendant une période prolongée (plus de six mois).**

## DESCRIPTION DU FONCTIONNEMENT

**⚠ATTENTION :** Assurez-vous toujours que l'outil est éteint et que sa batterie est retirée avant de l'ajuster ou de vérifier son fonctionnement.

**⚠ATTENTION :** Veillez à ne pas vous coincer les doigts entre l'aspirateur et la batterie lorsque vous chargez cette dernière, comme indiqué sur le schéma. Vous pourriez vous blesser en vous coincant les doigts.

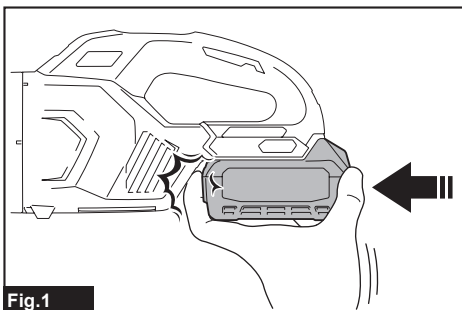


Fig.1

### Installation ou retrait de la batterie

**⚠ATTENTION :** Éteignez toujours l'outil avant d'installer ou de retirer la batterie.

**⚠ATTENTION :** Tenez fermement l'outil et la batterie lors de l'installation ou du retrait de cette dernière. Si l'outil et la batterie ne sont pas tenus fermement, ils risquent de vous glisser des mains et de subir des dommages, ou encore de vous blesser.

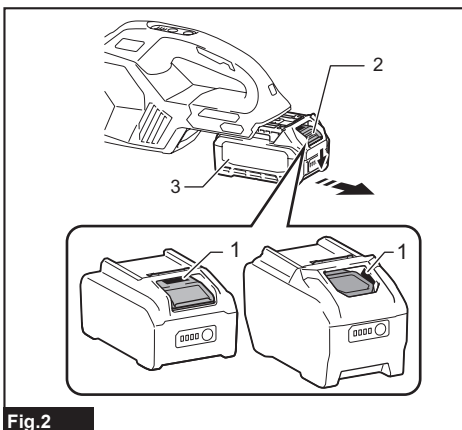


Fig.2

► 1. Indicateur rouge 2. Bouton 3. Batterie

Pour retirer la batterie, faites-la glisser hors de l'outil tout en glissant le bouton qui se trouve à l'avant.

Pour installer la batterie, alignez sa languette sur la rainure pratiquée dans le boîtier et glissez la batterie en place. Insérez-la à fond jusqu'à ce que vous entendiez un léger déclic. Si vous pouvez voir l'indicateur rouge tel qu'illustré sur la figure, cela signifie qu'elle n'est pas complètement verrouillée.

**⚠ ATTENTION :** Installez toujours la batterie à fond jusqu'à ce que vous ne puissiez plus voir l'indicateur rouge. Autrement elle risque de tomber accidentellement de l'outil et d'entraîner des blessures.

**⚠ ATTENTION :** Ne forcez pas sur la batterie pour l'installer. Si la batterie ne glisse pas facilement, c'est qu'elle n'est pas insérée correctement.

## Dispositif de protection de la batterie

L'outil est équipé d'un dispositif de protection de l'outil et de la batterie. Ce dispositif coupe automatiquement l'alimentation du moteur pour prolonger la durée de service de l'outil et de la batterie. L'outil s'arrête automatiquement pendant l'utilisation lorsque l'outil ou la batterie est dans l'une des situations suivantes.

### En surcharge :

L'outil/batterie est utilisé d'une manière entraînant une consommation anormale de courant.

Dans cette situation, éteignez l'outil et arrêtez l'application qui a causé la surcharge de l'outil. Allumez ensuite l'outil pour redémarrer.

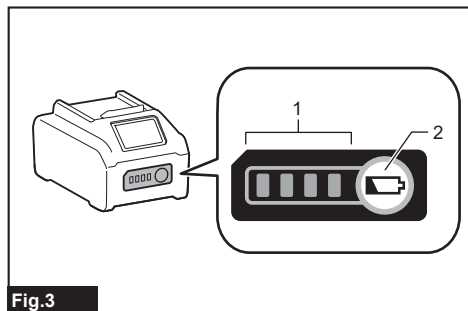
Si l'outil ne démarre pas, c'est que la batterie est surchauffée. Dans cette situation, laissez refroidir la batterie avant de rallumer l'outil.

### Tension de la batterie faible :

La charge restante de la batterie est trop faible pour que l'outil puisse fonctionner. Dans cette situation, retirez et rechargez la batterie.

## Affichage de la charge restante de la batterie

Appuyez sur le bouton de vérification de la batterie pour afficher la charge restante de la batterie. Les témoins indicateurs s'allument pendant quelques secondes.



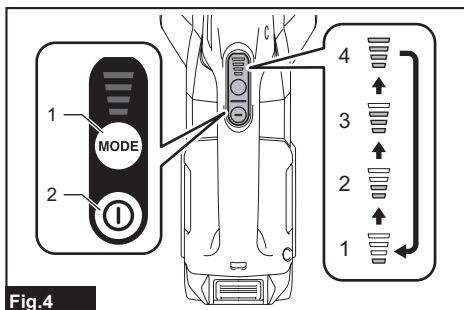
► 1. Témoins indicateurs 2. Bouton de vérification

| Témoins indicateurs |         |            | Charge restante                         |
|---------------------|---------|------------|---|
| Allumé              | Éteint  | Clignotant |   |
| ■ ■ ■ ■             | □ □ □ □ | ■ □        | 75 % à 100 %                            |
| ■ ■ ■ □             | ■ ■ □ □ | ■ □        | 50 % à 75 %                             |
| ■ ■ □ □             | ■ □ □ □ | ■ □        | 25 % à 50 %                             |
| ■ □ □ □             | □ □ □ □ | ■ □        | 0 % à 25 %                              |
| ■ □ □ □             | □ □ □ □ | ■ □        | Chargez la batterie.                    |
| ■ □ □ □             | □ □ □ □ | ■ □        | La batterie a peut-être mal fonctionné. |
| □ □ □ □             | ■ □ □ □ | ■ □        |   |

**NOTE :** Suivant les conditions d'utilisation et la température ambiante, il se peut que l'indication soit légèrement différente de la charge réelle.

**NOTE :** La première lampe témoin (à l'extrémité gauche) clignote lorsque le dispositif de protection de la batterie s'active.

## Interrupteur



► 1. Bouton de changement de la puissance d'aspiration 2. Bouton ON/OFF (marche/arrêt)

Pour démarrer l'aspirateur, appuyez simplement sur le bouton ON/OFF. Pour l'éteindre, appuyez sur le bouton ON/OFF de nouveau.

Vous pouvez changer la puissance d'aspiration de l'aspirateur en quatre étapes en appuyant sur le bouton de changement de la puissance d'aspiration. Chaque pression de ce bouton répète le mode Silencieux/Vitesse normale/Vitesse élevée/Max de façon cyclique.

| Niveau | Indication | Mode                   |
|--------|------------|------------------------|
| 1      | ■ ■ ■ ■    | Mode silencieux        |
| 2      | ■ ■ ■ □    | Mode vitesse normale   |
| 3      | ■ ■ □ □    | Mode de vitesse élevée |
| 4      | ■ □ □ □    | Mode vitesse max.      |

**NOTE** : Vous pouvez changer la puissance d'aspiration avant de mettre l'aspirateur en marche.

**NOTE** : L'aspirateur commence à fonctionner avec la même puissance d'aspiration que lors de son dernier fonctionnement.

## Allumer la lampe

**ATTENTION** : Évitez de regarder directement le faisceau lumineux ou sa source.

Pour allumer la lampe, appuyez sur le bouton de changement de la puissance d'aspiration. La lampe s'éteint en environ 10 secondes.

Pendant que l'aspirateur fonctionne, la lampe s'allume. La lampe s'éteint environ 10 secondes après l'arrêt du fonctionnement.

**NOTE** : Lorsque la charge restante de la batterie devient basse, la lampe se met à clignoter. Le moment où la lampe se met à clignoter dépend de la température du lieu de travail et de l'état de la batterie.

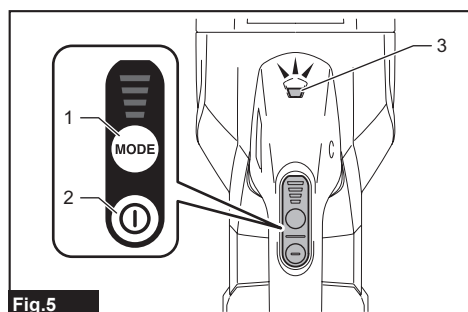


Fig.5

- 1. Bouton de changement de la puissance d'aspiration 2. Bouton ON/OFF (marche/arrêt) 3. Lampe

## ASSEMBLAGE

**ATTENTION** : Assurez-vous toujours que l'outil est éteint et que sa batterie est retirée avant d'effectuer tout travail dessus.

## Description des pièces

*Accessoire en option*

### Filter haute performance, étai et filtre-éponge

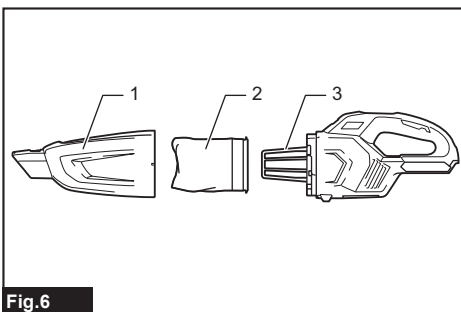


Fig.6

- 1. Bac à poussière 2. Filtre haute performance 3. Étai et filtre-éponge

### Préfiltre ou filtre haute performance et filtre HEPA

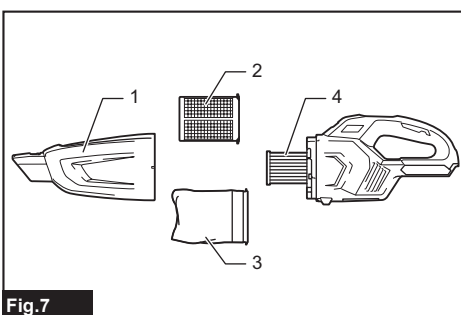


Fig.7

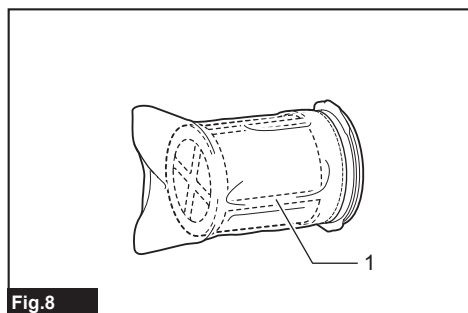
- 1. Bac à poussière 2. Préfiltre 3. Filtre haute performance 4. Filtre HEPA

**AVIS** : N'utilisez pas le filtre haute performance avec le filtre (accessoire en option). Le filtre haute performance risquerait de rester coincé dans l'aspirateur.



**NOTE :** Lors de l'utilisation du préfiltre et du filtre en option avec le filtre HEPA, utilisez uniquement le préfiltre par-dessus le filtre HEPA. Si vous utilisez en même temps le préfiltre et le filtre avec le filtre HEPA, la puissance d'aspiration risque de diminuer.

**NOTE :** Lors de l'utilisation du filtre HEPA avec le filtre haute performance, utilisez le filtre haute performance avec l'étai.



**Fig.8**

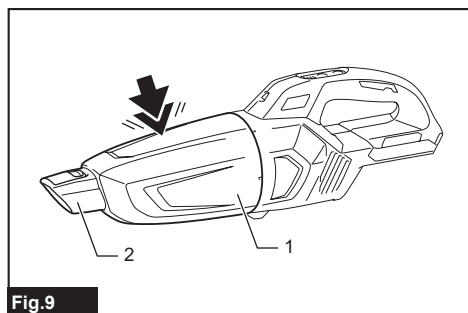
► 1. Étai

## Élimination de la poussière

**⚠ ATTENTION :** Videz l'aspirateur avant qu'il ne soit plein pour éviter une réduction de la puissance de succion.

**⚠ ATTENTION :** Veillez à ôter la poussière à l'intérieur de l'aspirateur lui-même. Dans le cas contraire, le filtre pourrait s'obstruer ou le moteur être endommagé.

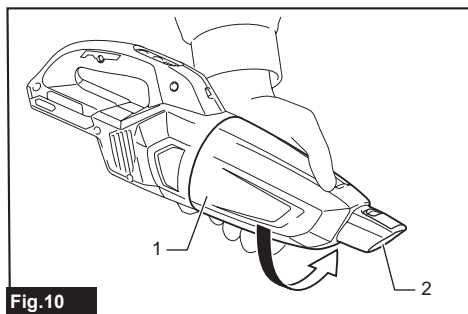
Pour ôter la poussière collée au filtre dans le bac à poussière, tapotez ce dernier 4 ou 5 fois.



**Fig.9**

► 1. Bac à poussière 2. Entrée d'aspiration

Orientez l'entrée d'aspiration vers le bas, tournez le bac à poussière dans le sens de la flèche sur le schéma, et déconnectez-le en tirant lentement et bien droit.

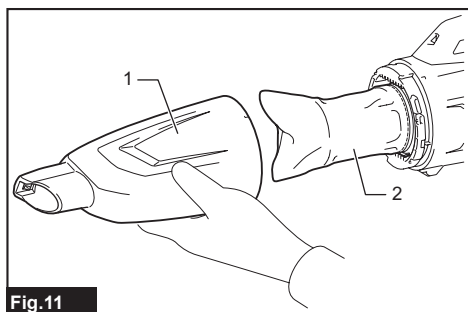


**Fig.10**

► 1. Bac à poussière 2. Entrée d'aspiration

**NOTE :** Comme la poussière peut se répandre lors de l'ouverture du bac à poussière, veillez à mettre un sac à ordures sous le bac à poussière.

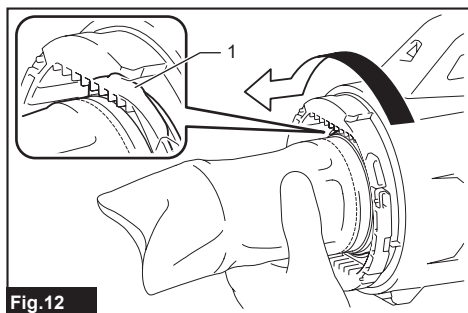
Retirez la poussière accumulée à l'intérieur du bac à poussière et du filtre haute performance.



**Fig.11**

► 1. Bac à poussière 2. Filtre haute performance

Faites pivoter le filtre haute performance dans le sens de la flèche pour désolidariser le rebord de fixation de l'aspirateur, puis retirez le filtre.



**Fig.12**

► 1. Rebord de fixation

**NOTE :** Lors de l'utilisation du préfiltre, suivez également la procédure ci-dessus.

Débarassez le filtre haute performance des fines poussières, et tapotez-le légèrement pour déloger la poussière.

## Remontage

Connectez le filtre haute performance. Veillez alors à faire pivoter le filtre haute performance afin que le rebord de fixation soit fermement verrouillé dans la rainure du boîtier d'aspirateur.

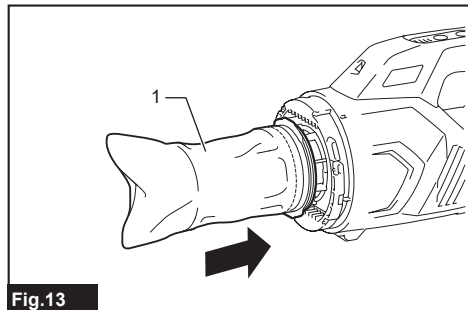


Fig.13

► 1. Filtre haute performance

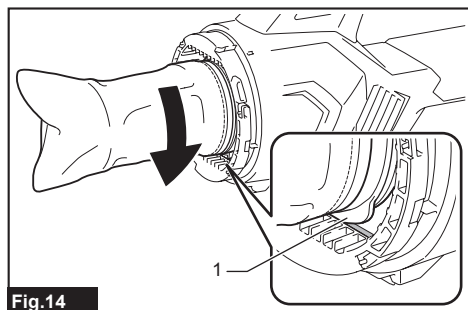


Fig.14

► 1. Rebord de fixation

**AVIS :** Vérifiez toujours que le filtre haute performance est correctement placé avant d'utiliser l'aspirateur. S'ils ne sont pas placés correctement, la poussière pénétrera dans le carter du moteur et causera une panne de moteur. Si le problème décrit ci-après survient, cela signifie que le filtre haute performance n'est pas bien placé. Remplacez-les correctement pour corriger le problème.

Fixez le bac à poussière. Alignez le symbole du bac à poussière sur le symbole de la poignée, puis faites pivoter le bac à poussière fermement dans le sens de la flèche jusqu'à ce qu'il se verrouille.

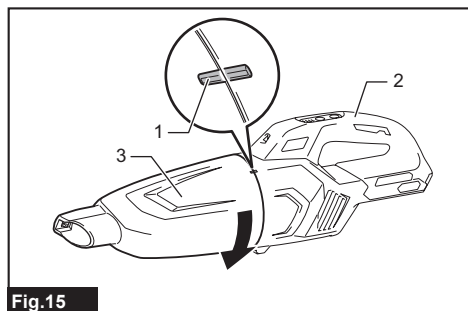


Fig.15

► 1. Marque 2. Poignée 3. Bac à poussière

**NOTE :** Retirez toujours la poussière au préalable, car la puissance d'aspiration est réduite si l'aspirateur contient trop de poussière.

## Exemples de problèmes

Le rebord de fixation du filtre haute performance n'est pas fermement verrouillé dans la rainure du boîtier d'aspirateur.

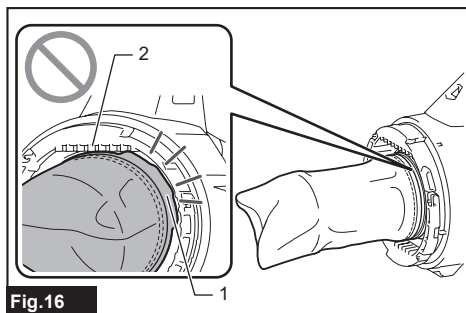


Fig.16

► 1. Rebord de fixation 2. Rainure du boîtier d'aspirateur

## Pose ou retrait de l'étau ou du filtre HEPA

*Accessoire en option*

### Pour l'étau et le filtre-éponge

Pour retirer l'étau, poussez la partie inférieure des colonnes de l'étau avec vos doigts et libérez sa rainure de la partie saillante sur l'aspirateur. Retirez ensuite le filtre-éponge.

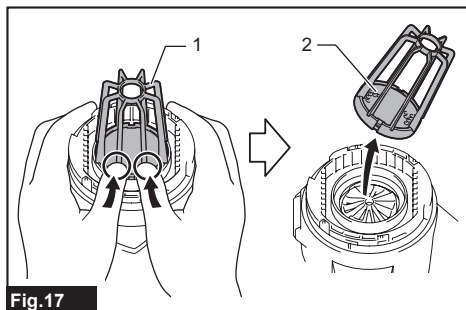


Fig.17

► 1. Étau 2. Filtre-éponge

Pour l'installer, alignez les rainures de l'étau sur la partie saillante de l'aspirateur, et poussez jusqu'à ce qu'il émette un léger bruit sec.

Insérez le filtre-éponge entre les colonnes et mettez-le sur sa position initiale.

## Pour le filtre HEPA

Lors de la pose du filtre HEPA, placez la rainure du filtre HEPA sur la partie saillante de l'aspirateur. Mettez ensuite le préfiltre ou le filtre haute performance sur le filtre HEPA et faites-le pivoter pour le fixer. Pour le retrait, effectuez le contraire de la procédure d'installation.

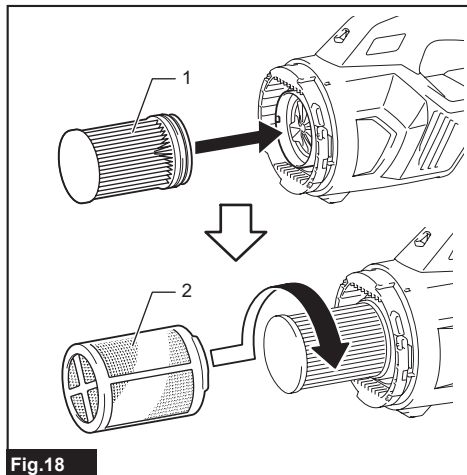


Fig.18

► 1. Filtre HEPA 2. Préfiltre

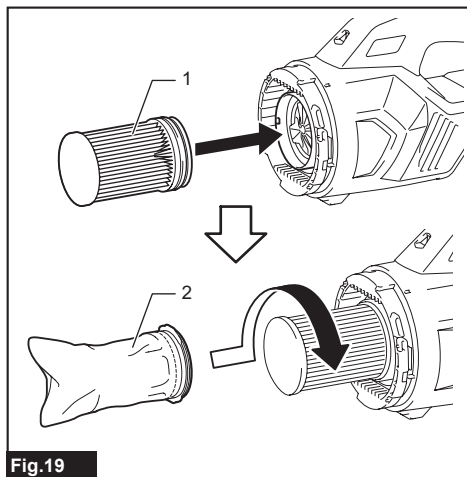


Fig.19

► 1. Filtre HEPA 2. Filtre haute performance

## UTILISATION

**ATTENTION** : N'approchez pas votre visage de l'orifice d'aération pendant l'utilisation de l'aspirateur. Il y a risque de blessure si des corps étrangers sont soufflés dans vos yeux.

### Pose ou retrait de l'accessoire d'aspirateur

**ATTENTION** : Après avoir installé l'accessoire, assurez-vous qu'il est solidement installé. Si l'accessoire n'est pas bien installé, il peut se détacher et entraîner une blessure.

**ATTENTION** : Prenez garde de vous heurter la main contre le mur, etc., en retirant l'accessoire.

### Lors de l'utilisation du collecteur avec fonction de verrouillage

Pour installer le collecteur, insérez-le dans l'entrée d'aspiration de l'aspirateur jusqu'à ce qu'il émette un léger bruit sec. Assurez-vous que le collecteur est verrouillé.

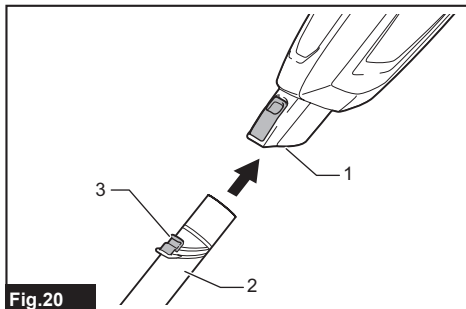


Fig.20

► 1. Entrée d'aspiration 2. Collecteur avec fonction de verrouillage 3. Crochet

**NOTE** : Lors de l'installation du collecteur avec fonction de verrouillage, veillez à aligner le bouton de libération sur le crochet du collecteur. S'ils ne sont pas alignés, le tube ne se verrouillera pas et risque de se détacher de l'aspirateur.

Pour retirer le collecteur, tirez dessus tout en appuyant sur le bouton de libération.

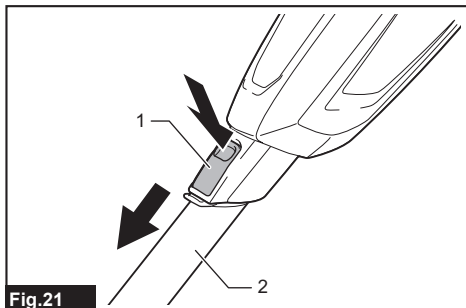


Fig.21

► 1. Bouton de libération 2. Collecteur avec fonction de verrouillage

## Lors de l'utilisation du collecteur sans fonction de verrouillage

**⚠ ATTENTION :** Pour connecter le collecteur sans fonction de verrouillage, insérez-le en le faisant pivoter dans le sens de la flèche pour qu'il reste fermement connecté pendant l'utilisation. Pour déconnecter l'accessoire, retirez-le en le faisant également pivoter dans le sens de la flèche. Le bac à poussière risque de se desserrer si le collecteur est pivoté dans le sens contraire.

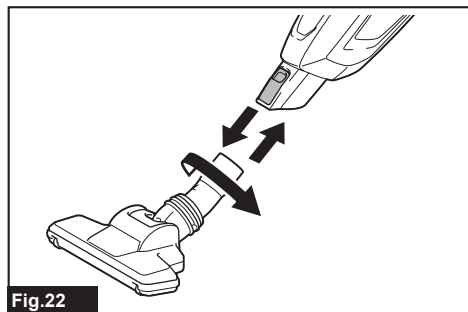


Fig.22

## Nettoyage (fonction d'aspiration)

### Buse

Fixez la buse pour nettoyer les tables, bureaux et autres meubles, etc. La buse glisse très facilement en place.

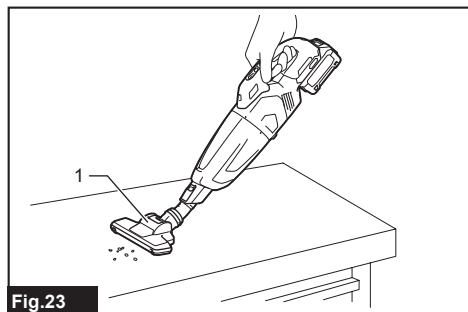


Fig.23

► 1. Buse

## Buse + tube de rallonge (tuyau rectiligne)

Le tube de rallonge s'installe entre la buse et l'aspirateur. Cette configuration est pratique pour nettoyer un plancher en position debout.

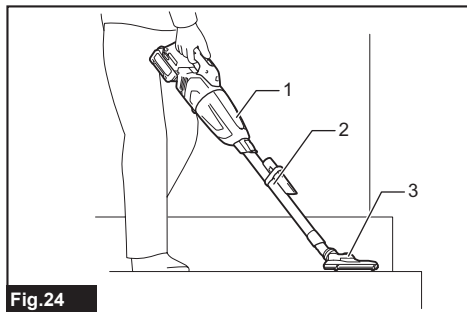


Fig.24

► 1. Corps de l'aspirateur 2. Tube de rallonge 3. Buse

## Buse à angle

Vous pouvez aussi l'utiliser avec la buse à angle pour nettoyer les fentes et les recoins de la voiture ou du mobilier.

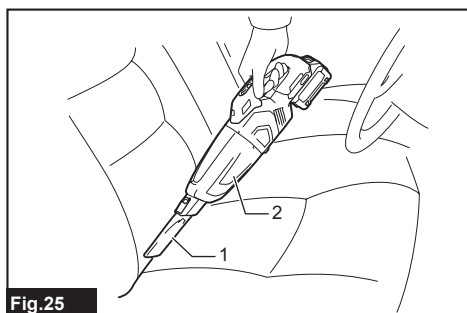


Fig.25

► 1. Buse à angle 2. Corps de l'aspirateur

Vous pouvez ranger la buse à angle dans le porte-buse.

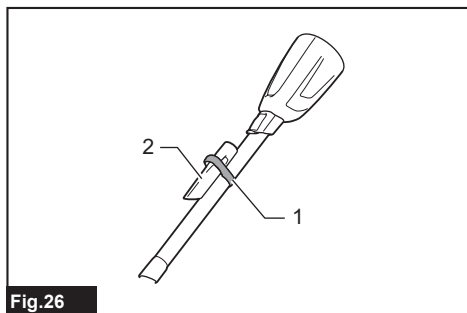


Fig.26

► 1. Porte-buse 2. Buse à angle

**⚠ ATTENTION :** Prenez soin de ne pas pincer vos doigts entre la buse à angle et le porte-buse. Vous pourriez vous blesser en vous coinçant les doigts.

## Buse à angle + tube de rallonge (tuyau rectiligne)

Utilisez cette configuration dans les endroits trop étroits pour l'aspirateur ou hors de portée parce que trop élevés.

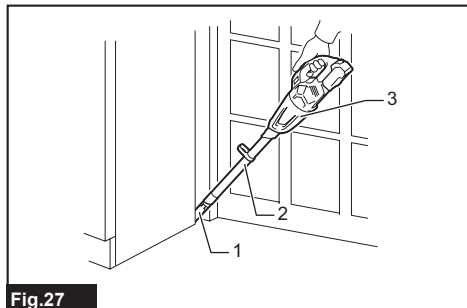


Fig.27

► 1. Buse à angle 2. Tube de rallonge 3. Corps de l'aspirateur

## Nettoyage sans buse

Sans buse, l'aspirateur peut tout de même ramasser la poudre et la poussière.

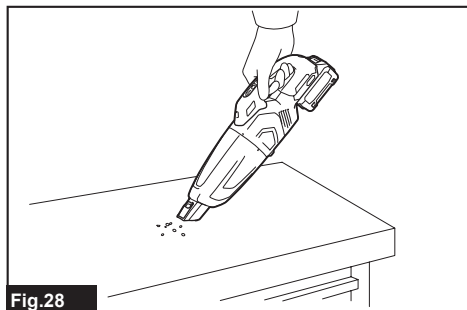


Fig.28

Pour collecter les poussières du plancher en position debout, il est pratique de fixer le tube de rallonge à l'aspirateur.

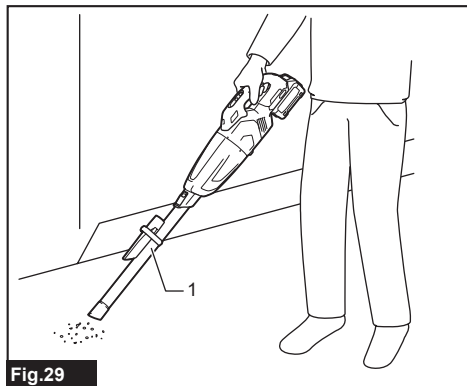


Fig.29

► 1. Tube de rallonge

## ENTRETIEN

**ATTENTION** : Assurez-vous toujours que l'outil est hors tension et que la batterie est retirée avant d'y effectuer tout travail d'inspection ou d'entretien.

Pour maintenir la SÉCURITÉ et la FIABILITÉ du produit, les réparations et tout autre travail d'entretien ou de réglage doivent être effectués dans un centre de service après-vente autorisé ou une usine Makita, exclusivement avec des pièces de rechange Makita.

## Après l'utilisation

**ATTENTION** : L'aspirateur risque de tomber, et par conséquent d'entraîner des blessures corporelles et de subir des dommages si vous le mettez contre le mur sans aucun autre soutien.

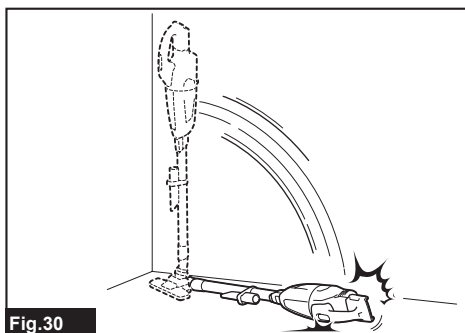


Fig.30

## Nettoyage

**AVIS** : N'utilisez jamais d'essence, de benzine, de solvant, d'alcool ou autres produits similaires. Une décoloration, une déformation ou la formation de fissures peuvent en découler.

**AVIS** : Ne soufflez pas les poussières qui adhèrent à l'aspirateur et aux filtres avec un dépoussiérant à air. Cela ferait pénétrer les poussières dans le boîtier et causerait une panne.

**AVIS** : Après avoir lavé les filtres, laissez-les sécher complètement avant l'utilisation. Des filtres mal séchés peuvent causer une mauvaise aspiration et écourter la durée de vie du moteur.

**AVIS** : Après avoir nettoyé les filtres et le filtre-éponge, n'oubliez pas de les réinstaller avant l'utilisation. Si vous utilisez l'aspirateur sans filtres ni filtre-éponge, les poussières pénétreront dans le boîtier du moteur et causeront un dysfonctionnement.

## Corps de l'aspirateur

Essuyez régulièrement l'extérieur (le corps) de l'aspirateur avec un chiffon imprégné d'eau savonneuse. Nettoyez également l'ouverture d'aspiration et la zone de montage du filtre.

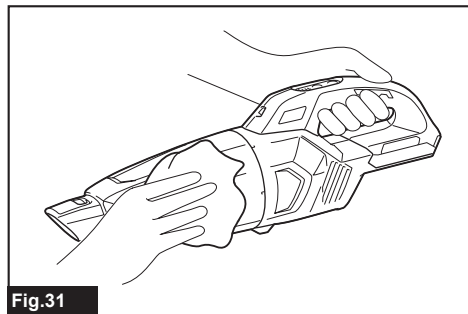


Fig.31

## Filtre haute performance

Nettoyez le filtre à l'eau savonneuse lorsqu'il est obstrué par la poussière et que la puissance d'aspiration s'affaiblit. Séchez-le entièrement avant utilisation.

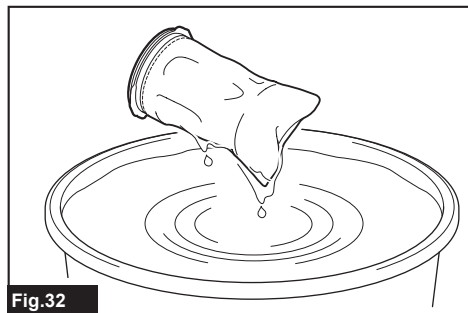


Fig.32

## Filtre HEPA

### Accessoire en option

**AVIS : Évitez de frotter ou rayer le filtre HEPA avec des objets durs tels que brosses et palettes.**

L'aspiration sera médiocre si le filtre HEPA est bouché. Nettoyez le filtre de temps à autre.

Lavez occasionnellement le filtre HEPA dans l'eau, puis rincez-le et laissez-le sécher complètement, à l'ombre, avant de l'utiliser. Ne lavez jamais le filtre dans une machine à laver.

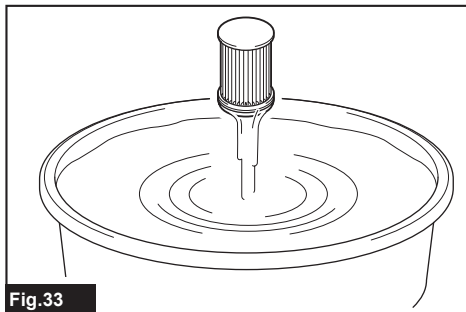


Fig.33

## Filtre-éponge

Lorsque le filtre-éponge est sale, nettoyez-le comme suit.

1. Retirez le filtre.
2. Retirez le filtre-éponge d'entre les colonnes.
3. Nettoyez le filtre-éponge en le tapotant ou en le lavant. Si vous le lavez, laissez-le sécher complètement avant l'utilisation.

4. Insérez le filtre-éponge entre les colonnes et mettez-le sur sa position initiale. Assurez-vous que chaque bord inférieur de la colonne retient le filtre-éponge, et qu'il n'y a pas d'espace libre entre le filtre-éponge et l'ouverture d'aspiration.

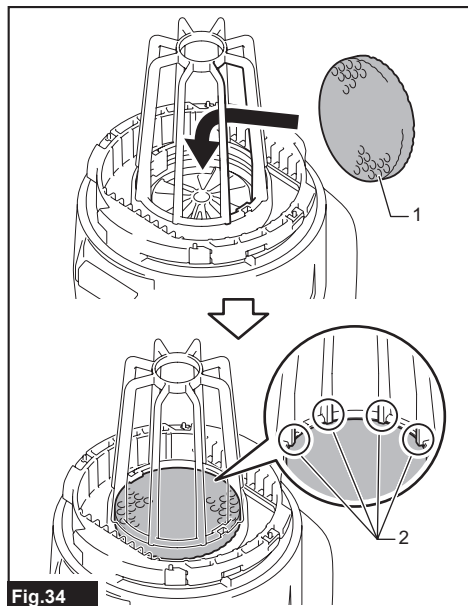


Fig.34

► 1. Filtre-éponge 2. Bord inférieur de colonne

## Monture murale pour aspirateur sans fil

### Accessoire en option

**NOTE :** La vis de montage du support n'est pas comprise. Procurez-vous une vis adaptée au matériau de vissage.

Fixez la monture murale pour aspirateur sans fil à un mur, une poutre ou une colonne en bois dur, là où elle pourra être posée solidement. Avant d'accrocher l'aspirateur, assurez-vous toujours que la monture murale pour aspirateur sans fil est solidement fixée.

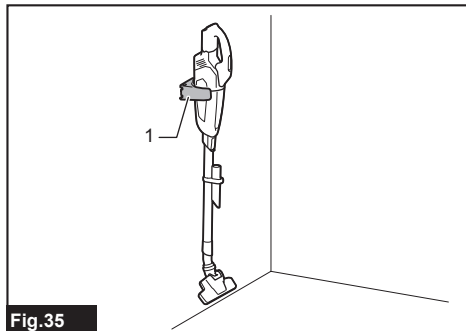


Fig.35

► 1. Monture murale pour aspirateur sans fil

**ATTENTION :** N'accrochez pas violemment l'aspirateur à la monture murale, et n'y accrochez aucun autre appareil que l'aspirateur.

## Dépannage

Avant de faire une demande de réparation, vérifiez les points suivants.

| Symptôme                      | Zone à inspecter   | Méthode de réparation   |
|-------------------------------|--|---|
| Faible puissance d'aspiration | Le bac à poussière est-il plein ?  | Videz le bac à poussière.   |
|                               | Le filtre est-il obstrué ?   | Nettoyez ou lavez le filtre.  |
|                               | La batterie est-elle déchargée ?   | Chargez la batterie.  |
| Ne fonctionne pas             | La batterie est-elle déchargée ?   | Chargez la batterie.  |
| Bruit et vibrations           | Le filtre est-il obstrué ?   | Nettoyez ou lavez le filtre.  |
|                               | La buse, le tuyau ou l'entrée d'aspiration de l'appareil est-il bloqué ? | Retirez les objets bloqués dans la buse, le tuyau ou l'entrée d'aspiration de l'appareil. |
|                               | L'entrée de la buse/tuyau est-elle bloquée ?                             | Ne bloquez pas l'entrée de la buse/tuyau.   |

**ATTENTION :** N'essayez pas de réparer l'aspirateur vous-même.

## ACCESSOIRES EN OPTION

**ATTENTION** : Ces accessoires ou pièces complémentaires sont recommandés pour l'utilisation avec l'outil Makita spécifié dans ce manuel. L'utilisation de tout autre accessoire ou pièce complémentaire peut comporter un risque de blessure. N'utilisez pas les accessoires ou pièces complémentaires qu'aux fins auxquelles ils ont été conçus.

Si vous désirez obtenir plus de détails sur ces accessoires, veuillez contacter le centre de service après-vente Makita le plus près.

- Tube de rallonge (tuyau rectiligne)
- Buse
- Buse à tapis
- Brosse à épousseter
- Buse à angle
- Brosse ronde
- Tuyau flexible
- Filtre
- Préfiltre
- Filtre haute performance
- Filtre HEPA
- Buse amovible
- Buse de siège
- Suceur plat
- Monture murale pour aspirateur sans fil
- Collecteur cyclone
- Sac de rangement
- Chargeur et batterie authentiques Makita

**NOTE** : Certains éléments de la liste peuvent être inclus avec l'outil comme accessoires standards. Ils peuvent varier suivant les pays.

## Collecteur cyclone

### Accessoire en option

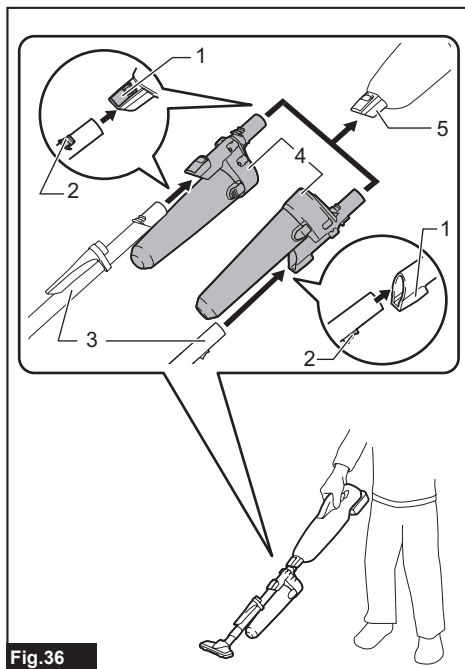


Fig.36

- 1. Bouton de libération 2. Crochet 3. Tuyau rectiligne 4. Collecteur cyclone 5. Entrée d'aspiration

## À propos du collecteur cyclone

L'utilisation de l'aspirateur avec le collecteur cyclone installé réduit la quantité de poussière qui pénètre dans le bac à poussière, ce qui aide à empêcher l'affaiblissement de la force de succion. Cela simplifie également le nettoyage après l'utilisation.

**ATTENTION** : Assurez-vous toujours que l'outil est éteint et que sa batterie est retirée avant d'effectuer toute intervention sur l'outil. Si la batterie est laissée insérée, l'aspirateur peut démarrer de manière inattendue et provoquer des blessures.

**ATTENTION** : Nettoyez le filtre à tamis du collecteur cyclone et les filtres de l'aspirateur lorsqu'ils se bouchent. L'utilisation continue à l'état bouché peut entraîner une surchauffe ou de la fumée.

**AVIS** : Lorsque le collecteur cyclone est fixé, n'utilisez pas l'aspirateur en position horizontale ou pointée vers le haut. Cela risquerait de boucher le filtre à tamis.

**AVIS** : Utilisez toujours l'aspirateur avec les filtres installés, même lors de l'utilisation du collecteur cyclone. Utiliser l'aspirateur sans y installer les filtres peut entraîner un dysfonctionnement du moteur.



**NOTE :** Avant l'utilisation, assurez-vous que le collecteur cyclone, l'aspirateur et le tuyau rectiligne sont bien verrouillés.

**NOTE :** Lorsque la poussière s'accumule, videz le compartiment à poussière du collecteur cyclone et le bac à poussière de l'aspirateur. Continuer l'utilisation entraînerait une diminution de la force de succion.

**NOTE :** Vous pouvez également utiliser le collecteur cyclone sans fonction de verrouillage.

**NOTE :** Pour installer ou retirer le collecteur cyclone, reportez-vous à la section « Pose ou retrait de l'accessoire d'aspirateur ».

**NOTE :** Avant de reprendre l'utilisation, assurez-vous que le collecteur cyclone, l'aspirateur et le tuyau rectiligne sont bien verrouillés.

**NOTE :** Si la force de succion n'est pas rétablie même après que vous avez jeté la poussière et nettoyé le filtre à tamis, vérifiez s'il y a accumulation de poussière dans le bac à poussière de l'aspirateur ou si l'aspirateur est bouché.

**NOTE :** La poussière pourrait s'envoler lorsque vous la retirez du collecteur cyclone. Prenez soin de ne pas laisser la poussière entrer dans vos yeux.

## Élimination de la poussière

Lorsque la poussière s'accumule jusqu'à la ligne Plein du compartiment à poussière, suivez la procédure ci-dessous et jetez la poussière.

1. En tenant fermement le compartiment à poussière, maintenez enfoncés les deux boutons et retirez le compartiment à poussière.

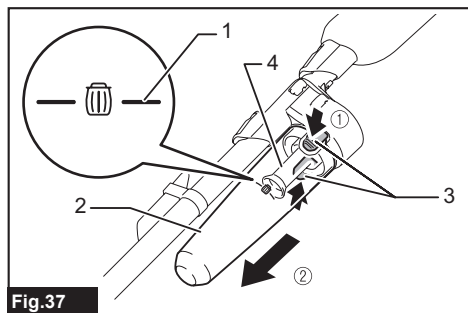


Fig.37

► 1. Ligne Plein 2. Compartiment à poussière  
3. Bouton (deux emplacements) 4. Filtre à tamis

2. Jetez la poussière du compartiment à poussière et enlevez toute trace de poussière ou de poudre adhérent à la surface du filtre à tamis.

3. Insérez le compartiment à poussière à fond, jusqu'à ce que les deux boutons se verrouillent avec un léger bruit sec.

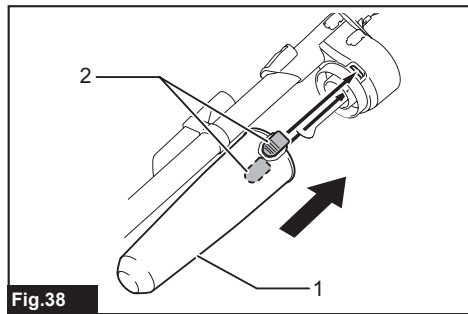


Fig.38

► 1. Compartiment à poussière 2. Bouton (deux emplacements)

## Nettoyage

Lorsque le compartiment à poussière est sale ou que le filtre à tamis est bouché, retirez-les et lavez-les avec de l'eau. (Pour la procédure de retrait, reportez-vous à « Élimination de la poussière ».)

Laissez sécher les pièces complètement avant de les réinstaller et de reprendre l'utilisation.

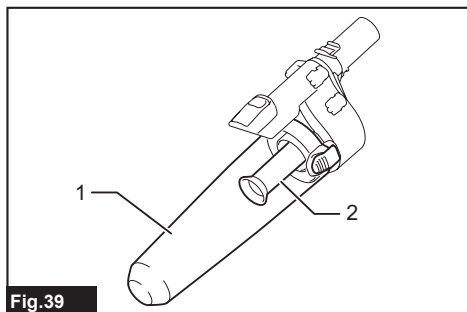
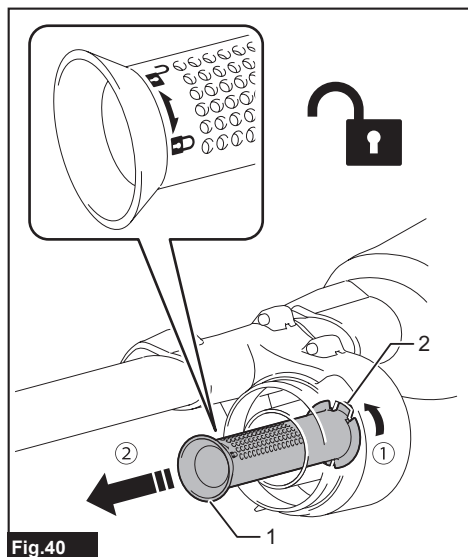


Fig.39

► 1. Compartiment à poussière 2. Filtre à tamis

Lorsque le filtre à tamis est très sale, procédez comme suit pour le nettoyer.

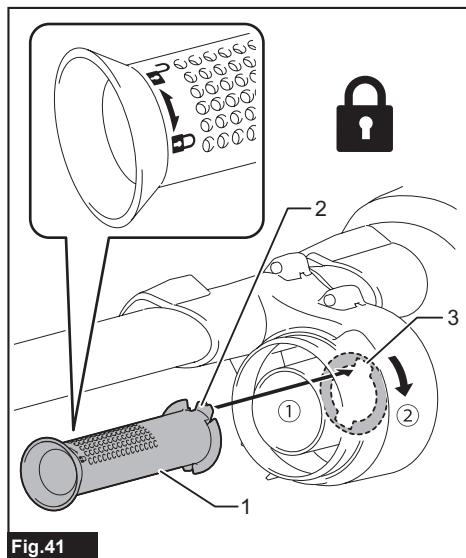
1. Tournez le filtre à tamis dans le sens contraire des aiguilles d'une montre, et retirez-le pendant que les crochets sont déverrouillés.



► 1. Filtre à tamis 2. Crochet

2. Enlevez la poussière du filtre à tamis, puis lavez-le avec de l'eau. Ensuite, laissez-le sécher complètement.

3. Insérez le filtre à tamis dans la base pendant que les crochets sont alignés sur le port. Tournez le filtre à tamis dans le sens des aiguilles d'une montre jusqu'à ce que les crochets se verrouillent avec un bruit de déclic. Assurez-vous que le filtre à tamis est fermement installé.



► 1. Filtre à tamis 2. Crochet 3. Port

## GARANTIE LIMITÉE MAKITA

Pour les conditions de garantie en vigueur qui s'appliquent à ce produit, veuillez vous reporter à la feuille de garantie en annexe. Si la feuille de garantie en annexe n'est pas disponible, reportez-vous aux détails de la garantie présentés sur le site Web de votre pays, ci-dessous.

États-Unis d'Amérique: [www.makitatools.com](http://www.makitatools.com)

Canada: [www.makita.ca](http://www.makita.ca)

Autres pays: [www.makita.com](http://www.makita.com)

## ESPECIFICACIONES

|                                      |                           |                                     |
|--------------------------------------|---------------------------|-------------------------------------|
| <b>Modelo:</b>                       |                           | <b>CL001G</b>                       |
| <b>Capacidad</b>                     |                           | 730 ml                              |
| Uso continuo<br>(con batería BL4025) | 1 (Modo silencioso)       | Aprox. 80 min                       |
|                                      | 2 (Modo velocidad normal) | Aprox. 40 min                       |
|                                      | 3 (Modo velocidad alta)   | Aprox. 25 min                       |
|                                      | 4 (Modo velocidad máxima) | Aprox. 16 min                       |
| Longitud total (con batería BL4025)  |                           | 1 066 mm (42")                      |
| Tensión nominal                      |                           | 36 V - 40 V (máx.) c.c.             |
| Peso neto                            |                           | 1,7 kg - 2,3 kg (3,7 lbs - 5,1 lbs) |

- Debido a nuestro continuo programa de investigación y desarrollo, las especificaciones aquí incluidas están sujetas a cambio sin previo aviso.
- Las especificaciones pueden variar de país a país.
- El peso incluye el o los cartuchos de batería, pero no los accesorios. La combinación de menor y mayor peso del aparato y del o los cartuchos de batería se muestra en la tabla.

## Cartucho de batería y cargador aplicables

|                     |  |
|---------------------|--|
| Cartucho de batería | BL4020* / BL4025* / BL4040* / BL4050F<br>* : Batería recomendada |
| Cargador            | DC40RA / DC40RB / DC40RC   |

- Algunos de los cartuchos de batería y cargadores enumerados arriba podrían no estar disponibles dependiendo de su área de residencia.

**⚠ ADVERTENCIA:** Use únicamente los cartuchos de batería y los cargadores indicados arriba. El uso de cualquier otro cartucho de batería y cargador podría ocasionar una lesión y/o un incendio.

## ADVERTENCIAS DE SEGURIDAD

## INSTRUCCIONES IMPORTANTES DE SEGURIDAD

Al usar cualquier aparato eléctrico, siempre deben seguirse las precauciones básicas, incluyendo las siguientes:

## GUARDE ESTAS INSTRUCCIONES.

## ADVERTENCIA

Para reducir el riesgo de incendio, descarga eléctrica o lesión:

1. No deje el aparato con la batería puesta. Retire la batería del aparato cuando no lo vaya a utilizar y antes de dar servicio de mantenimiento.
2. No lo utilice sobre superficies húmedas. No lo exponga a la lluvia. Almacénelo en interiores.
3. No permita que sea utilizado como un juguete. Supervise de cerca cuando lo utilicen niños o se utilice cerca de ellos.
4. Utilícelo solamente como se describe en este manual. Sólo use aditamentos recomendados por el fabricante.

5. **No lo utilice con una batería dañada. Si el aparato no está funcionando como debiera, se ha dejado caer, se ha dañado, se ha dejado a la intemperie o ha caído sobre agua, llévalo a un centro de servicio.**
6. **No manipule el aparato con las manos mojadas.**
7. **No introduzca ningún objeto en las aberturas. No lo utilice con ninguna abertura bloqueada; manténgalo libre de polvo, pelusa, cabello y cualquier objeto que pueda reducir el flujo de aire.**
8. **Mantenga el cabello, la ropa holgada, los dedos y todas las partes del cuerpo lejos de las aberturas y piezas móviles.**
9. **Apague todos los controles antes de retirar el cartucho de batería.**
10. **Tenga especial cuidado cuando limpie en escaleras.**
11. **No lo utilice para recoger líquidos inflamables o combustibles, tal como gasolina, ni en áreas donde puedan estar presentes.**
12. **No recoja nada que se esté quemando o desprenda humo, tal como cigarros, fósforos o cenizas calientes.**
13. **No lo utilice sin la bolsa recolectora de polvo y/o los filtros colocados en su lugar.**
14. **No cargue la batería en exteriores.**
15. **Evite una puesta en marcha accidental. Asegúrese de que el interruptor esté en la posición apagada antes de conectar el paquete de baterías, levantar el aparato o cargarlo. Cargar el aparato con su dedo en el interruptor o pasar energía al aparato con el interruptor encendido pueden propiciar accidentes.**
16. **Desconecte el paquete de baterías del aparato antes de hacer cualquier ajuste, cambiar accesorios o almacenar el aparato. Estas medidas de seguridad preventivas reducen el riesgo de poner en marcha el aparato accidentalmente.**
17. **Recargue sólo con el cargador especificado por el fabricante. Un cargador que es adecuado para un solo tipo de paquete de baterías puede generar riesgo de incendio al ser utilizado con otro paquete de baterías.**
18. **Use los aparatos únicamente con los paquetes de baterías designados específicamente para ellos. El uso de otros paquetes de baterías puede generar riesgo de lesiones e incendio.**
19. **Cuando no se esté usando el paquete de baterías, guárdelo lejos de otros objetos metálicos tales como sujetapapeles (clips), monedas, llaves, clavos, tornillos u otros objetos metálicos pequeños que puedan crear una conexión entre una terminal y otra. Ocasionar un cortocircuito en las terminales de la batería puede provocar quemaduras o incendios.**
20. **En condiciones de mal uso, podría escapar líquido de la batería; evite tocarlo. Si lo toca accidentalmente, enjuague con agua. Si el líquido entra en contacto con los ojos, solicite adicionalmente atención médica. El líquido expulsado de la batería puede causar irritación o quemaduras.**
21. **No utilice un paquete de baterías o aparato que esté dañado o haya sido modificado. Las baterías dañadas o modificadas podrían comportarse de manera impredecible causando un incendio, explosión o riesgo de lesión.**
22. **No exponga un paquete de baterías o aparato al fuego o a una temperatura excesiva. La exposición al fuego a una temperatura superior a 130 °C podría causar una explosión.**
23. **Siga todas las instrucciones relativas a la carga y no cargue el paquete de baterías o el aparato fuera del rango de temperatura especificado en las instrucciones. Cargar de manera inapropiada o a temperaturas fuera del rango especificado podría dañar la batería e incrementar el riesgo de incendio.**

24. Pida que el servicio lo realice un técnico en reparaciones calificado y que utilice únicamente piezas de repuesto idénticas a las originales. Esto garantizará que se mantenga la seguridad del producto.
25. No modifique ni intente reparar el aparato ni el paquete de baterías salvo como se indique en las instrucciones para el uso y cuidado.

## GUARDE ESTAS INSTRUCCIONES.

### REGLAS DE SEGURIDAD ADICIONALES

Este aparato está diseñado para uso comercial.

1. Lea cuidadosamente este manual de instrucciones y el manual de instrucciones del cargador antes de usar el aparato.
2. No aspire los siguientes elementos:
  - Líquidos inflamables (queroseno, gasolina, disolventes como bencina, diluyentes, etc.)
  - Sustancias calientes que están ardiendo o echando humo (cigarrillos, cerillas, palitos de incienso, velas, cenizas calientes), chispas y polvo metálico generados por el corte o el lijado de metales, etc.
  - Materiales inflamables (tóner, pinturas, aerosoles, etc.)
  - Espumas, como limpiadores de alfombras, etc. (pueden causar explosiones o incendios)
  - Sustancias explosivas o pirofóricas (nitroglicerina, aluminio, magnesio, titanio, zinc, fósforo rojo, fósforo amarillo, celuloide, etc., y su polvo, gases o vapores)
  - Objetos afilados (cristal, cubiertos, astillas de madera, metales, piedras, clavos, cuchillas, tachuelas, etc.)

- Polvo fino conductor y solidificante (polvo metálico o de carbono)
- Deshumidificador
- Grandes cantidades de polvo (harina, polvo de extintor de incendios, etc.)
- Sustancias que causan síntomas tóxicos
- Productos químicos agresivos (ácidos, lixiviados, etc.)
- Basura líquida o húmeda, incluyendo vómitos y heces
- Asbesto
- Pesticidas

Tal acción podría ocasionar un incendio, lesiones y/o daños materiales.

Para reducir la exposición a estas sustancias químicas, utilice un equipo de protección respiratoria aprobado, tal como las máscaras contra polvo que están especialmente diseñadas para filtrar partículas microscópicas. No apunte la salida de aire a la cara y al cuerpo.


3. Detenga la operación de inmediato si nota algo anormal.
4. Si deja caer o golpea la aspiradora, verifique cuidadosamente si hay grietas o daños antes de la operación.
5. No la acerque a estufas ni a otras fuentes de calor.
6. No obstruya el orificio de flujo de entrada ni los orificios de ventilación.
7. Este aparato no se destina para utilizarse por personas (incluyendo niños) cuyas capacidades físicas, sensoriales o mentales sean diferentes o estén reducidas o carezcan de experiencia o de conocimiento, a menos que dichas personas reciban una supervisión o capacitación para el funcionamiento del aparato por una persona responsable de su seguridad.
8. Los niños deben supervisarse para asegurar que ellos no empleen los aparatos como juguete.

## GUARDE ESTAS INSTRUCCIONES.

## Símbolos

A continuación se muestran los símbolos utilizados para la herramienta.

v volts o voltios

 corriente directa o continua

## Instrucciones importantes de seguridad para el cartucho de batería

1. Antes de utilizar el cartucho de batería, lea todas las instrucciones e indicaciones de precaución sobre (1) el cargador de batería, (2) la batería, y (3) el producto con el que se utiliza la batería.
2. No desarme ni modifique el cartucho de batería. Podría ocurrir un incendio, calor excesivo o una explosión.
3. Si el tiempo de operación se ha acortado en exceso, deje de operar el aparato de inmediato. Esto podría generar un riesgo de sobrecalentamiento, posibles quemaduras e incluso una explosión.
4. En caso de que ingresen electrolitos en sus ojos, enjuáguelos bien con agua limpia y solicite atención médica de inmediato. Ya que esto podría causarle pérdida de visión.
5. No cortocircuite el cartucho de batería:
  - (1) No toque los terminales con ningún material conductor.
  - (2) Evite guardar el cartucho de batería en un cajón junto con otros objetos metálicos, tales como clavos, monedas, etc.
  - (3) No exponga el cartucho de batería al agua o a la lluvia.  
Un cortocircuito en la batería podría causar un flujo grande de corriente, sobrecalentamiento, posibles quemaduras e incluso una avería.
6. No guarde y use la herramienta ni el cartucho de batería en lugares donde la temperatura pueda alcanzar o exceder los 50°C (122°F).
7. Nunca incinere el cartucho de batería incluso en el caso de que esté dañado seriamente o ya no sirva en absoluto. El cartucho de batería puede explotar si se tira al fuego.
8. No clave, corte, aplaste, lance o deje caer el cartucho de batería, ni golpee un objeto sólido contra el cartucho de batería. Dicha acción podría resultar en un incendio, calor excesivo o en una explosión.
9. No use una batería dañada.
10. Las baterías de iones de litio están sujetas a los requisitos legislativos reglamentarios en materia de bienes peligrosos.  
Para transportes comerciales, por ej., mediante terceros o transportistas, se deben tomar en cuenta los requisitos especiales relativos al empaque y el etiquetado.  
Para efectuar los preparativos del artículo que se va a enviar, se requiere consultar a un experto en materiales peligrosos. Si es posible, consulte además otras regulaciones nacionales posiblemente más detalladas.  
Pegue o cubra con cinta adhesiva los contactos abiertos y empaque la batería de manera que ésta no pueda moverse dentro del paquete.
11. Para deshacerse del cartucho de batería, sáquelo de la herramienta y deséchelo en un lugar seguro. Siga las regulaciones locales relacionadas al desecho de las baterías.
12. Utilice las baterías únicamente con los productos especificados por Makita. Instalar las baterías en productos que no cumplan con los requisitos podría ocasionar un incendio, un calentamiento excesivo, una explosión o una fuga de electrolito.
13. Si no se utiliza la herramienta por un período largo, debe extraerse la batería de la herramienta.

14. El cartucho de batería podría absorber calor durante y después de su uso, lo que ocasionaría quemaduras o quemaduras a baja temperatura. Tenga cuidado con la manipulación de los cartuchos de batería que estén calientes.
15. No toque el terminal de la herramienta inmediatamente después de su uso, ya que el mismo podría estar lo suficientemente caliente como para provocarle quemaduras.
16. No permita que las rebabas, el polvo o la tierra queden atrapados en los terminales, orificios y ranuras del cartucho de batería. Esto podría ocasionar un desempeño deficiente o descompostura de la herramienta o del cartucho de batería.
17. No utilice el cartucho de batería cerca de cables eléctricos de alto voltaje, a menos que la herramienta sea compatible con el uso cercano a estos cables eléctricos de alto voltaje.. Esto podría ocasionar una avería o descompostura de la herramienta o del cartucho de batería.
18. Mantenga la batería alejada de los niños.

## GUARDE ESTAS INSTRUCCIONES.

**PRECAUCIÓN:** Utilice únicamente baterías originales de Makita. El uso de baterías no originales de Makita, o de baterías alteradas, puede ocasionar que las baterías exploten causando un incendio, lesiones personales y daños. Asimismo, esto invalidará la garantía de Makita para la herramienta y el cargador Makita.

### Consejos para alargar al máximo la vida útil de la batería

1. Cargue el cartucho de batería antes de que se descargue completamente. Pare siempre la operación y cargue el cartucho de batería cuando note menos potencia en la herramienta.
2. No cargue nunca un cartucho de batería que esté completamente cargado. La sobrecarga acortará la vida de servicio de la batería.
3. Cargue el cartucho de batería a una temperatura ambiente de 10 °C - 40 °C (50 °F - 104 °F). Si un cartucho de batería está caliente, déjelo enfriar antes de cargarlo.
4. Cuando no utilice el cartucho de batería, sáquelo de la herramienta o del cargador.
5. Cargue el cartucho de batería si no va a utilizarlo durante un periodo prolongado (más de seis meses).

## DESCRIPCIÓN DEL FUNCIONAMIENTO

**PRECAUCIÓN:** Asegúrese siempre de que la herramienta esté apagada y el cartucho de batería haya sido extraído antes de realizar cualquier ajuste o comprobación en la herramienta.

**PRECAUCIÓN:** Tenga cuidado de que su(s) dedo(s) no quede(n) atrapado(s) entre la aspiradora y la batería, tal como se ilustra en el diagrama, al momento de colocar la batería. Si su(s) dedo(s) quedara(n) atrapado(s) podría(n) resultar lesionado(s).

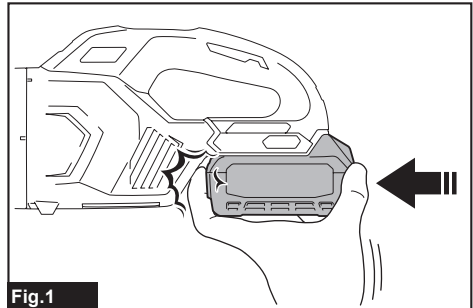


Fig.1

### Instalación o extracción del cartucho de batería

**PRECAUCIÓN:** Apague siempre la herramienta antes de colocar o quitar el cartucho de batería.

**PRECAUCIÓN:** Sujete la herramienta y el cartucho de la batería con firmeza al colocar o quitar el cartucho de batería. Si no se sujeta con firmeza la herramienta y el cartucho de batería, puede ocasionar que se resbalen de sus manos causando daños a la herramienta y al cartucho de batería, así como lesiones a la persona.

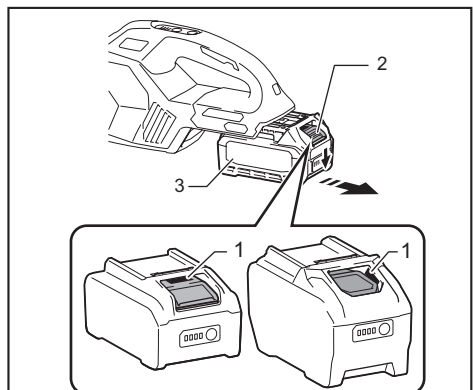


Fig.2

► 1. Indicador rojo 2. Botón 3. Cartucho de batería

Para quitar el cartucho de batería, deslícelo de la herramienta mientras desliza el botón sobre la parte delantera del cartucho.

Para instalar el cartucho de batería, alinee la lengüeta sobre el cartucho de batería con la ranura en la carcasa y deslícela hasta su lugar. Insértelo por completo hasta que se fije en su lugar con un pequeño clic. Si puede ver el indicador rojo como se muestra en la ilustración, este no ha quedado asegurado por completo.

**⚠️ PRECAUCIÓN:** Introduzca siempre completamente el cartucho de batería hasta que el indicador rojo no pueda verse. Si no, podría accidentalmente salirse de la herramienta y caer al suelo causando una lesión a usted o alguien a su alrededor.

**⚠️ PRECAUCIÓN:** No instale el cartucho de batería a la fuerza. Si el cartucho no se desliza al interior fácilmente, se debe a que no está siendo insertado correctamente.

## Sistema de protección de batería

La herramienta está equipada con un sistema de protección para la herramienta/batería. Este sistema corta automáticamente la alimentación al motor para prolongar la vida de la herramienta y la batería. La herramienta se detendrá automáticamente durante la operación si la herramienta o la batería se someten a una de las siguientes condiciones.

### Sobrecarga:

La herramienta/batería se utilizan de una manera que causa que se consuma una cantidad de corriente inusualmente alta. En este caso, apague la herramienta y detenga la aplicación que causó que la herramienta se sobrecargara. Luego encienda la herramienta para reiniciarla. Si la herramienta no arranca, significa que la batería se sobrecalentó. En este caso, espere a que la batería se enfríe antes de volver a encender la herramienta.

### Bajo voltaje de la batería:

La capacidad restante de la batería es demasiado baja y la herramienta no funcionará. En este caso, extraiga la batería y vuelva a cargarla.

## Indicación de la capacidad restante de la batería

Oprima el botón de verificación en el cartucho de la batería para que indique la capacidad restante de la batería. Las luces indicadoras se iluminarán por algunos segundos.

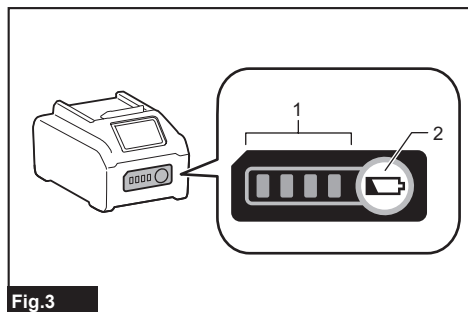


Fig.3

► 1. Luces indicadoras 2. Botón de verificación

| Luces indicadoras |          |             | Capacidad restante                    |
|-------------------|----------|-------------|---------------------------------------|
| Iluminadas        | Apagadas | Parpadeando |                                       |
| ■ ■ ■ ■           | □ □ □ □  | ▧           | 75% a 100%                            |
| ■ ■ ■ □           | □ □ □ □  | ▧           | 50% a 75%                             |
| ■ ■ □ □           | □ □ □ □  | ▧           | 25% a 50%                             |
| ■ □ □ □           | □ □ □ □  | ▧           | 0% a 25%                              |
| ▧ □ □ □           | □ □ □ □  | ▧           | Cargar la batería.                    |
| ■ ■ □ □           | □ □ □ □  | ▧           | La batería pudo haber funcionado mal. |
| □ □ ■ ■           | □ □ □ □  | ▧           |                                       |

**NOTA:** Dependiendo de las condiciones de uso y la temperatura ambiente, la indicación podrá diferir ligeramente de la capacidad real.

**NOTA:** La primera luz indicadora (extrema izquierda) parpadeará cuando el sistema de protección de batería esté en funcionamiento.

## Accionamiento del interruptor

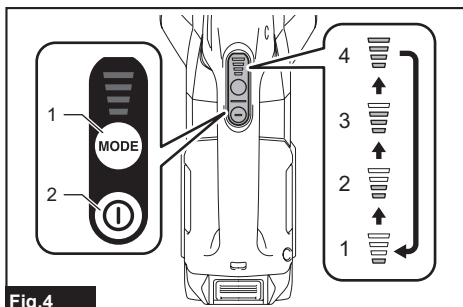


Fig.4

► 1. Botón de cambio de potencia de succión 2. Botón de encendido/apagado

Para poner en marcha la aspiradora, simplemente oprima el botón de encendido/apagado. Para apagarla, oprima el botón de encendido/apagado nuevamente. Usted puede cambiar la potencia de succión de la aspiradora en cuatro pasos presionando el botón de cambio de potencia de succión. Cada pulsación de este botón repite el modo Silencioso / Vel. normal / Vel. alta / Vel. máxima en un ciclo.

| Nivel | Indicación | Modo                  |
|-------|------------|-----------------------|
| 1     | ▧          | Modo silencioso       |
| 2     | ▧          | Modo velocidad normal |
| 3     | ▧          | Modo velocidad alta   |
| 4     | ▧          | Modo velocidad máxima |



**NOTA:** Puede cambiar la potencia de succión antes de encender la aspiradora.

**NOTA:** La aspiradora inicia la operación con la misma potencia de succión que la última operación.

## Encendido de la lámpara

**PRECAUCIÓN:** No mire a la luz ni vea a la fuente de luz directamente.

Para encender la lámpara, oprima el botón de cambio de potencia de succión. La lámpara se apaga en aproximadamente 10 segundos.

Mientras la aspiradora está funcionando, la lámpara estará encendida.

La lámpara se apagará aproximadamente 10 segundos después de detener la operación.

**NOTA:** Cuando la capacidad restante de la batería esté baja, la lámpara comenzará a parpadear. El momento en el que la lámpara comenzará a parpadear dependerá de la temperatura en el lugar de trabajo y de las condiciones del cartucho de batería.

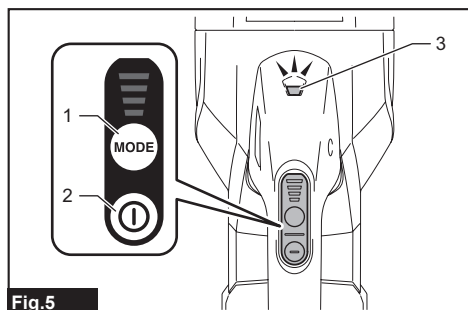


Fig.5

- 1. Botón de cambio de potencia de succión 2. Botón de encendido/apagado 3. Luz

## MONTAJE

**PRECAUCIÓN:** Asegúrese siempre de que la herramienta esté apagada y el cartucho de batería haya sido extraído antes de realizar cualquier trabajo en la misma.

## Descripción de las piezas

*Accesorio opcional*

### Filtro de alto rendimiento y retenedor y filtro de esponja

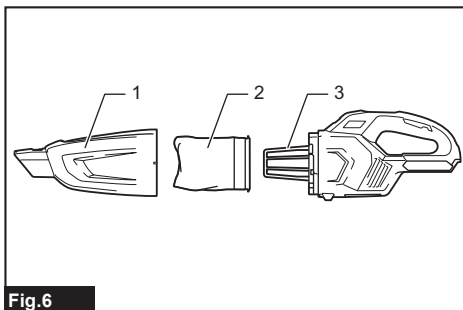


Fig.6

- 1. Cápsula 2. Filtro de alto rendimiento  
3. Retenedor y filtro de esponja

### Prefiltro o filtro de alto rendimiento y filtro HEPA

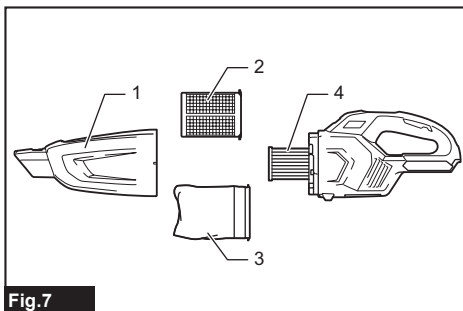


Fig.7

- 1. Cápsula 2. Prefiltro 3. Filtro de alto rendimiento  
4. Filtro HEPA

**AVISO:** No utilice el filtro de alto rendimiento con el filtro (accesorio opcional). El filtro de alto rendimiento podría no ser retirado de la aspiradora.

**NOTA:** Cuando use el prefiltro y el filtro opcionales con el filtro HEPA, use solo el prefiltro sobre el filtro HEPA. Si usa el prefiltro y el filtro con el filtro HEPA al mismo tiempo, es posible que la potencia de succión disminuya.

**NOTA:** Cuando use el filtro HEPA con el filtro de alto rendimiento, use el filtro de alto rendimiento con el retenedor.

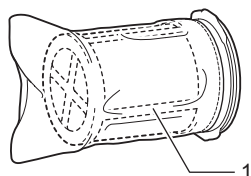


Fig.8

► 1. Retenedor

## Eliminación del polvo

**⚠PRECAUCIÓN:** Vacíe la aspiradora antes de que se llene, o la fuerza de succión se debilitará.

**⚠PRECAUCIÓN:** Asegúrese de vaciar el polvo que haya dentro de la misma aspiradora. El no hacerlo podría causar que el filtro se tape o que el motor se dañe.

Para eliminar el polvo que quede pegado sobre el filtro en la cápsula, dé un golpe ligero a la cápsula unas 4 o 5 veces con su mano.

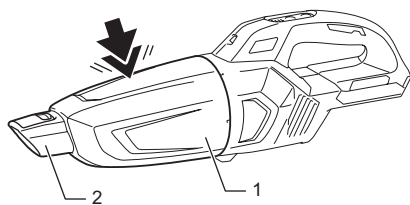


Fig.9

► 1. Cápsula 2. Entrada de succión

Dirija la entrada de succión hacia abajo, gire la cápsula en la dirección de la flecha en el diagrama y desconecte la cápsula lentamente y en línea recta.

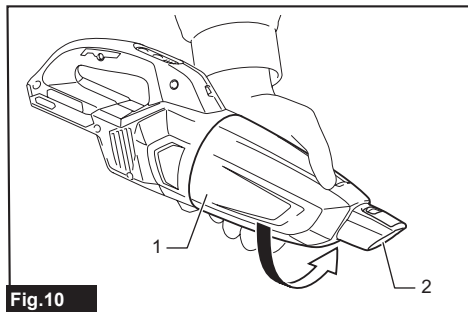


Fig.10

► 1. Cápsula 2. Entrada de succión

**NOTA:** Es posible que se derrame polvo al abrir la cápsula, por lo que deberá asegurarse de colocar una bolsa de basura por debajo de la cápsula.

Elimine el polvo acumulado en el interior de la cápsula y del filtro de alto rendimiento.

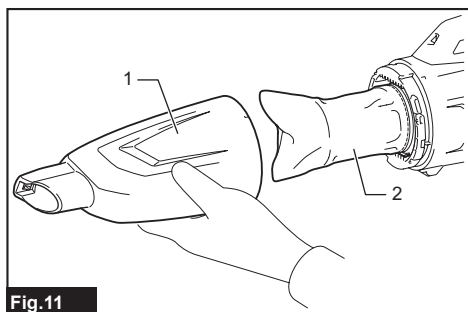


Fig.11

► 1. Cápsula 2. Filtro de alto rendimiento

Enrosque el filtro de alto rendimiento en la dirección de la flecha para desabrochar el reborde de fijación de la unidad de la aspiradora y luego saque el filtro.

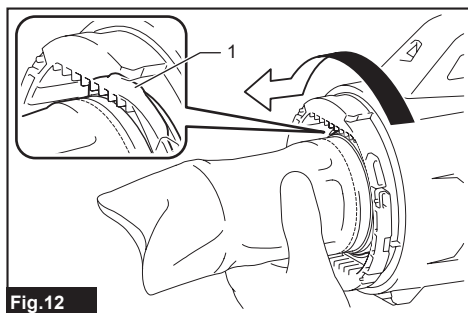


Fig.12

► 1. Reborde de fijación

**NOTA:** Cuando utilice el prefiltro, siga también el procedimiento anterior.

Limpie el polvo fino y golpee ligeramente para desprender el polvo del filtro de alto rendimiento.

## Reensamble

Conecte el filtro de alto rendimiento. En este momento, asegúrese de enroscar el filtro de alto rendimiento de tal manera que el reborde de fijación quede firmemente bloqueado en la unidad de la aspiradora.

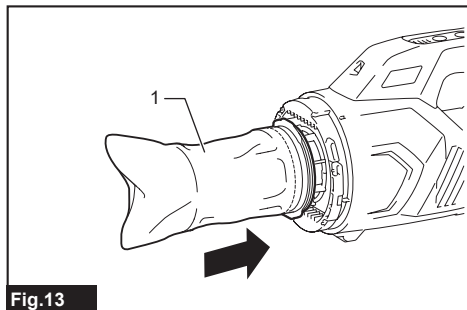


Fig.13

► 1. Filtro de alto rendimiento

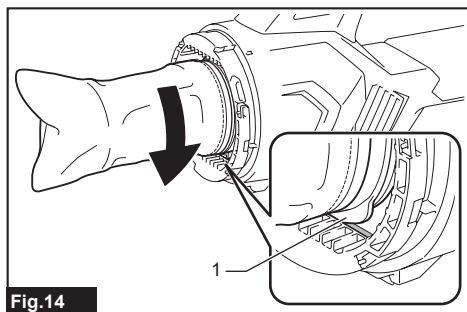


Fig.14

► 1. Reborde de fijación

**AVISO:** Asegúrese siempre de verificar que el filtro de alto rendimiento esté cargado correctamente antes de usar la aspiradora. Si no están correctamente puestos, el polvo se introducirá a la carcasa del motor causando daños en el mismo.

Si se presenta el problema como se describe más adelante, el filtro de alto rendimiento no se pondrá correctamente. Vuévalos a colocar correctamente para corregir el problema.

Conecte la cápsula. Alinee la marca en la cápsula con la marca en el mango y luego gire firmemente la cápsula en la dirección de la flecha hasta que quede asegurada.

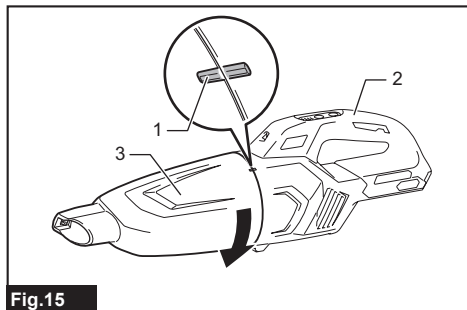


Fig.15

► 1. Marca 2. Mango 3. Cápsula

**NOTA:** Siempre elimine el polvo con antelación, ya que el poder de succión será menor si hay demasiado polvo en la aspiradora.

## Ejemplos de problemas

El reborde de fijación del filtro de alto rendimiento no está firmemente bloqueado en la ranura de la carcasa de la aspiradora.

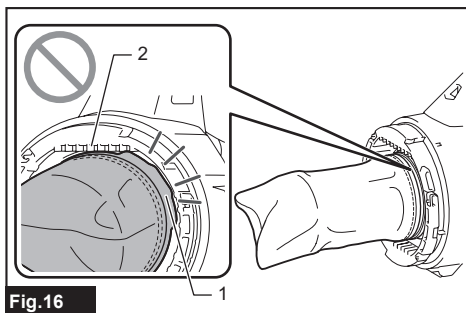


Fig.16

► 1. Reborde de fijación 2. Ranura de la carcasa de la aspiradora

## Instalación o extracción del retenedor/filtro HEPA

*Accesorio opcional*

### Para el retenedor y filtro de esponja

Para extraer el retenedor, empuje hacia arriba la parte inferior de los pilares del retenedor con sus dedos y libere su ranura de la parte saliente de la aspiradora. Después de esto, extraiga el filtro de esponja.

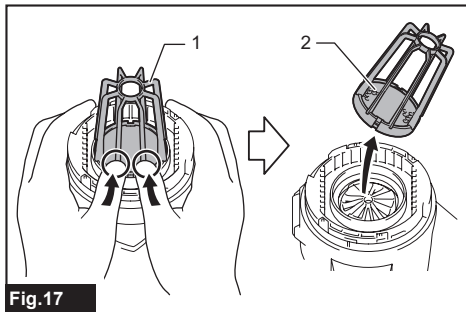


Fig.17

► 1. Retenedor 2. Filtro de esponja

Para instalar, alinee las ranuras sobre el retenedor con la parte saliente en la aspiradora, luego empuje hasta que haga clic.

Inserte el filtro de esponja entre los pilares y colóquelo en la posición original.

## Para el filtro HEPA

Cuando instale el filtro HEPA, acomode la ranura del filtro HEPA con la parte saliente sobre la aspiradora. Luego, coloque el prefiltro o el filtro de alto rendimiento en el filtro HEPA y gírelo para asegurarlo. Para extraerlo, siga el procedimiento de instalación en orden inverso.

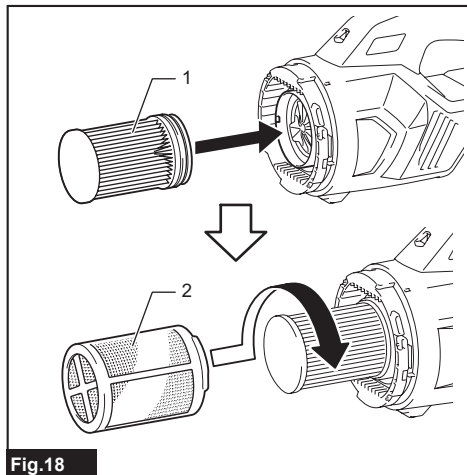


Fig.18

► 1. Filtro HEPA 2. Prefiltro

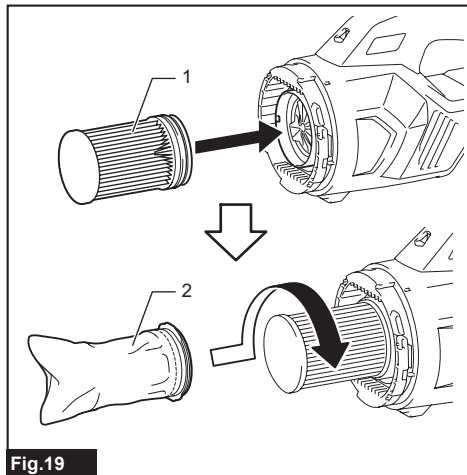


Fig.19

► 1. Filtro HEPA 2. Filtro de alto rendimiento

## OPERACIÓN

**⚠PRECAUCIÓN:** No ponga la cara cerca de la abertura de ventilación cuando utilice la aspiradora. Si las partículas sopladadas se introducen en los ojos, podrían causar lesiones.

## Instalación o desinstalación del aditamento para aspiradora

**⚠PRECAUCIÓN:** Después de instalar el aditamento, verifique si está bien instalado. Si el aditamento no está instalado perfectamente bien, éste podría salirse y ocasionar una lesión.

**⚠PRECAUCIÓN:** Cuando extraiga el aditamento, tenga cuidado de no golpear su mano contra el muro, etc.

## Cuando se utiliza el aditamento con la función de bloqueo

Para instalar el aditamento, insértelo en la entrada de succión de la aspiradora hasta que haga clic. Asegúrese de que el aditamento quede asegurado.

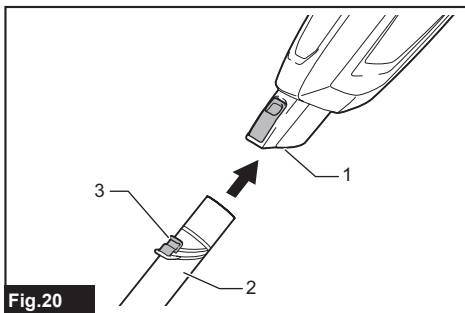


Fig.20

► 1. Entrada de succión 2. Aditamento con la función de bloqueo 3. Gancho

**NOTA:** Cuando instale el aditamento con función de bloqueo, asegúrese de alinear el botón de liberación con el gancho sobre el aditamento. Si no están alineados, el tubo no se bloqueará y puede salirse de la aspiradora.

Para extraerlo, jale el aditamento oprimiendo simultáneamente el botón de liberación.

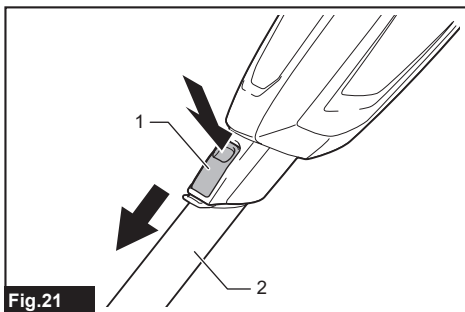


Fig.21

► 1. Botón de liberación 2. Aditamento con la función de bloqueo

## Cuando se utiliza el aditamento sin la función de bloqueo

**⚠PRECAUCIÓN:** Para conectar el aditamento sin la función de bloqueo, enrosque e insértelo en la dirección de la flecha para asegurar la conexión durante el uso. Para desconectar el aditamento, gírelo y extráigalo también en la dirección de la flecha. Si el aditamento se enrosca en la dirección opuesta, la cápsula podría quedar suelta.

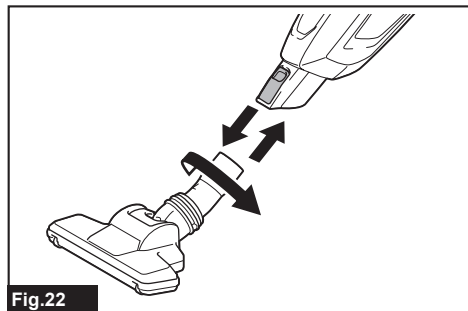


Fig.22

## Aspirado (succión)

### Boquilla

Coloque la boquilla para aspirar mesas, escritorios, muebles, etc. La boquilla se pone fácilmente.

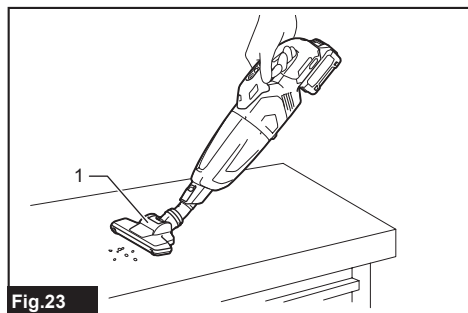


Fig.23

► 1. Boquilla

## Boquilla + Tubo de extensión (tubo recto)

El tubo de extensión se coloca entre la boquilla y la aspiradora misma. Esta modalidad resulta conveniente para aspirar un piso estando de pie.

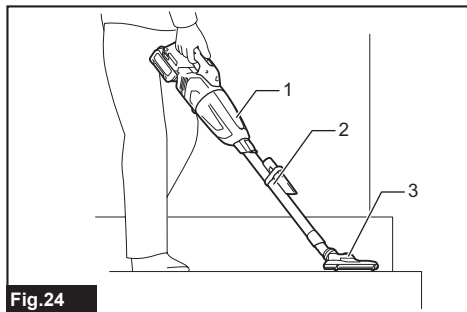


Fig.24

► 1. Cuerpo de la aspiradora 2. Tubo de extensión 3. Boquilla

## Boquilla para esquinas

Coloque la boquilla para esquinas para aspirar esquinas y huecos en autos y muebles.

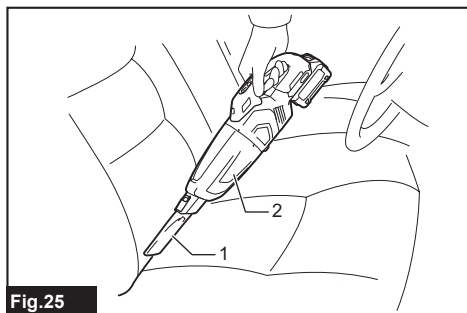


Fig.25

► 1. Boquilla para esquinas 2. Cuerpo de la aspiradora

Usted puede guardar la boquilla para esquinas en el sujetaboquillas.

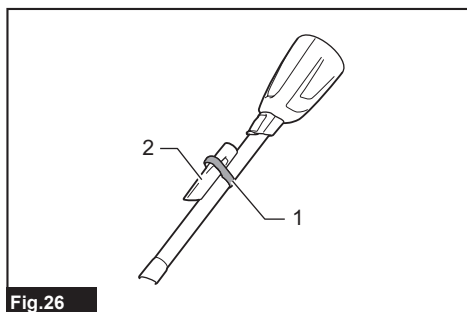


Fig.26

► 1. Sujetaboquillas 2. Boquilla para esquinas

**⚠PRECAUCIÓN:** Tenga cuidado de que su(s) dedo(s) no quede(n) atrapado(s) entre la boquilla para esquinas y el sujetaboquillas. Si su(s) dedo(s) quedara(n) atrapado(s) podría(n) resultar lesionado(s).

## Boquilla para esquinas + Tubo de extensión (tubo recto)

Utilice esta modalidad para espacios estrechos donde la misma aspiradora no quepa, o en lugares elevados difíciles de alcanzar.

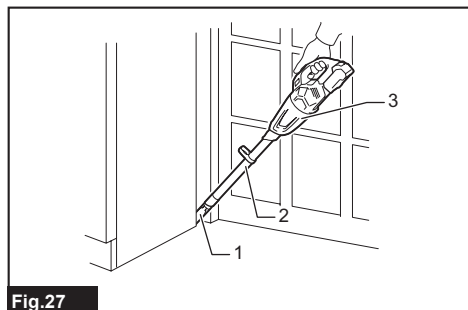


Fig.27

- ▶ 1. Boquilla para esquinas 2. Tubo de extensión 3. Cuerpo de la aspiradora

## Aspirado sin boquilla

Puede aspirar el polvo sin el uso de la boquilla.

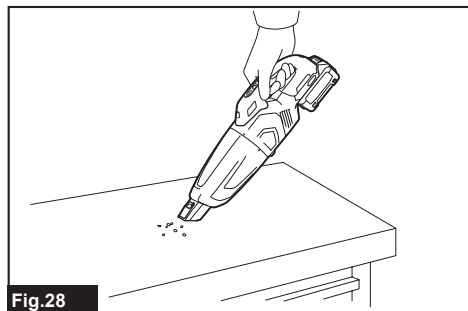


Fig.28

Para recoger polvo en un piso en posición de pie, es conveniente colocar el tubo de extensión en la aspiradora.

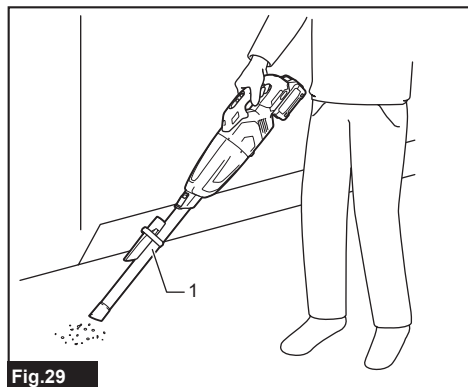


Fig.29

- ▶ 1. Tubo de extensión

## MANTENIMIENTO

**PRECAUCIÓN:** Asegúrese siempre de que la herramienta esté apagada y el cartucho de batería extraído antes de intentar realizar una inspección o mantenimiento.

Para mantener la SEGURIDAD y CONFIABILIDAD del producto, las reparaciones y cualquier otro mantenimiento o ajuste deben ser realizados por los centros de servicio autorizados por Makita o de fábrica, utilizando siempre repuestos Makita.

### Después del uso

**PRECAUCIÓN:** El colocar la aspiradora contra la pared sin que haya ningún otro soporte podría ocasionar que la aspiradora se cayera, lo que resultaría en una lesión personal o en un daño a la aspiradora.

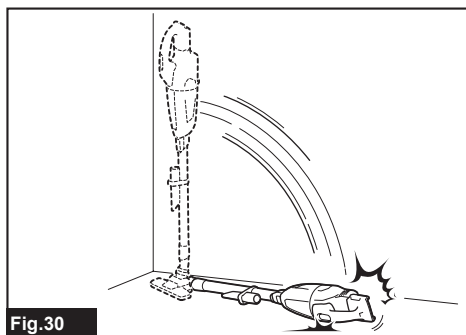


Fig.30

### Limpieza

**AVISO:** Nunca use gasolina, bencina, diluyente (tiner), alcohol o sustancias similares. Puede que esto ocasione grietas o descoloramiento.

**AVISO:** No use un soplador de aire con el fin de eliminar el polvo adherido en la aspiradora y en los filtros. Esto introduciría polvo en la carcasa pudiendo causar daños.

**AVISO:** Después de lavar los filtros, séquelos completamente antes de usarlos. Si los filtros no están completamente secos la succión podría ser deficiente y la vida útil del motor podría reducirse.

**AVISO:** Después de limpiar los filtros y el filtro de esponja, asegúrese de volverlos a instalar antes del uso. Si utiliza la aspiradora sin los filtros y el filtro de esponja, el polvo entrará a la carcasa del motor causando daños en el mismo.

## Cuerpo de la aspiradora

De vez en cuando, limpie el exterior (cuerpo) de la aspiradora usando un paño húmedo y agua enjabonada. Asimismo, limpie la abertura de succión y el área donde va instalado el filtro.

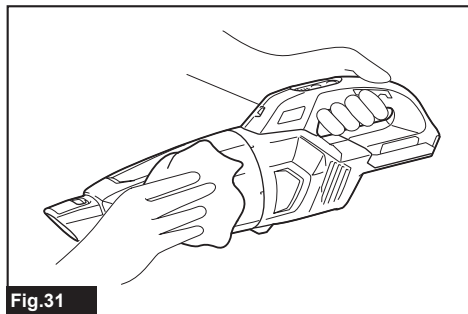


Fig.31

## Filtro de alto rendimiento

Lave el filtro en agua enjabonada cuando éste se haya tapado con el polvo y disminuya la potencia de la aspiradora. Déjelo secar por completo antes de usarlo.

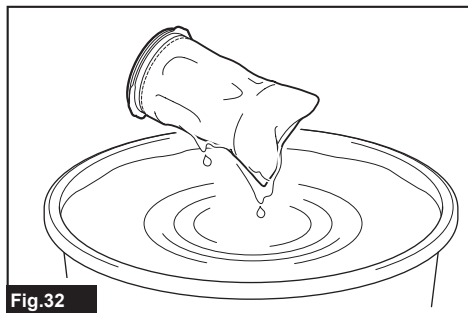


Fig.32

## Filtro HEPA

*Accesorio opcional*

**AVISO:** No frote ni raye el filtro HEPA con objetos duros tales como un cepillo o una pala.

La obstrucción del filtro HEPA hace que el desempeño de la succión sea deficiente. Limpie el filtro de vez en cuando.

De vez en cuando, lave el filtro HEPA con agua, enjuáguelo y séquelo bien a la sombra antes de usarlo. Nunca lave el filtro en la lavadora.

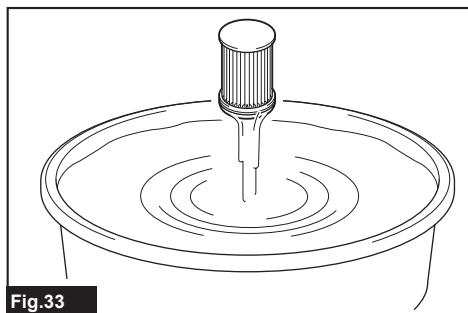


Fig.33

## Filtro de esponja

Cuando el filtro de esponja se ensucie, límpielo como se indica a continuación.

1. Retire el filtro.
2. Jale hacia afuera el filtro de esponja de entre los pilares.
3. Limpie el filtro de esponja mediante golpecitos o lavándolo. Si lo lava, déjelo secar por completo antes de usarlo.
4. Inserte el filtro de esponja entre los pilares y colóquelo en la posición original. Asegúrese de que el borde inferior de cada pilar mantenga sujetado el filtro de esponja y que no haya ningún espacio entre el filtro de esponja y la abertura de succión.

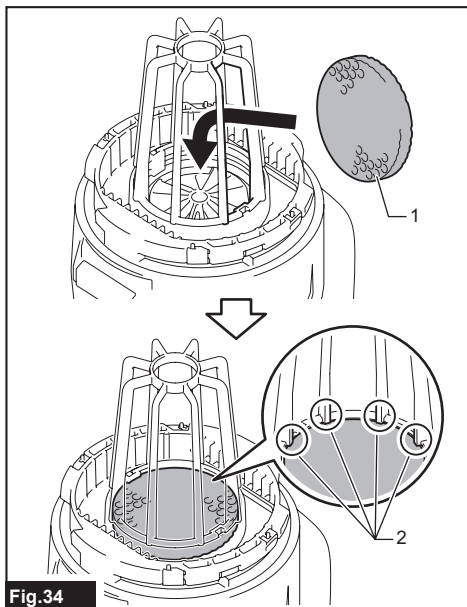


Fig.34

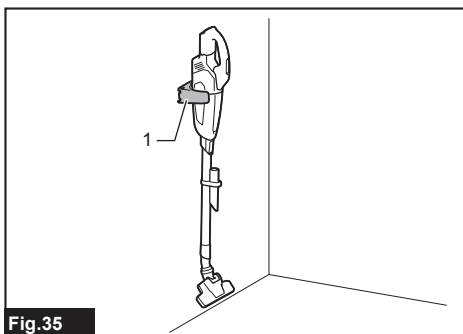
- 1. Filtro de esponja 2. Borde inferior del pilar

## Montaje de pared para la aspiradora inalámbrica

### Accesorio opcional

**NOTA:** El tornillo para instalar el soporte no está incluido. Prepare un tornillo que sea apto para el material donde va a atornillarse.

Fije el montaje de pared para la aspiradora inalámbrica en una pared, travesaño o columna de madera resistente donde el montaje de pared para la aspiradora inalámbrica quede firmemente asegurado. Asegúrese siempre de que el montaje de pared para la aspiradora inalámbrica esté firmemente asegurado antes de colgar la aspiradora.



**Fig.35**

► 1. Montaje de pared para la aspiradora inalámbrica

**⚠PRECAUCIÓN:** No cuelgue la aspiradora en el montaje de pared forzosamente ni cuelgue otros aparatos que no sean la aspiradora.

## Detección y solución de problemas

Antes de solicitar una reparación, verifique los siguientes puntos.

| Síntoma                        | Área a ser investigada   | Método de solución   |
|--------------------------------|--|--|
| Potencia de succión deficiente | ¿La cápsula está llena de polvo?                                 | Vacíe el polvo de la cápsula.  |
|                                | ¿El filtro está tapado?  | Limpie o lave el filtro.   |
|                                | ¿El cartucho de batería se ha descargado?                        | Cargue el cartucho de batería.   |
| No funciona                    | ¿El cartucho de batería se ha descargado?                        | Cargue el cartucho de batería.   |
| Ruido y vibración              | ¿El filtro está tapado?  | Limpie o lave el filtro.   |
|                                | ¿Está tapada la boquilla, tubo o entrada de succión del aparato? | Retire los objetos que obstruyen la boquilla, tubo o entrada de succión del aparato. |
|                                | ¿La entrada de la boquilla/tubo está bloqueada?                  | No bloquee la entrada de la boquilla/tubo.   |

**⚠PRECAUCIÓN:** No intente reparar la aspiradora por su cuenta.

## ACCESORIOS OPCIONALES

**⚠PRECAUCIÓN:** Estos accesorios o aditamentos están recomendados para utilizarse con su herramienta Makita especificada en este manual. El empleo de cualquier otro accesorio o aditamento puede conllevar el riesgo de lesiones personales. Utilice los accesorios o aditamentos solamente para su fin establecido.

Si necesita cualquier ayuda para más detalles en relación con estos accesorios, pregunte a su centro de servicio local Makita.

- Tubo de extensión (tubo recto)
- Boquilla
- Boquilla para alfombra
- Cepillo para estantes
- Boquilla para esquinas
- Cepillo redondo
- Manguera flexible

- Filtro
- Prefiltro
- Filtro de alto rendimiento
- Filtro HEPA
- Boquilla amplia
- Boquilla para asientos
- Boquilla para huecos
- Montaje de pared para la aspiradora inalámbrica
- Colector ciclónico
- Bolsa de herramientas
- Batería y cargador originales de Makita

**NOTA:** Algunos de los artículos en la lista pueden incluirse en el paquete de la herramienta como accesorios estándar. Éstos pueden variar de país a país.



## Colector ciclónico

### Accesorio opcional

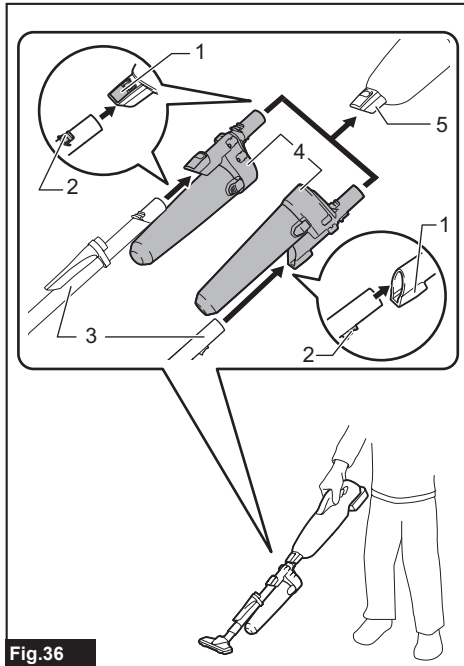


Fig.36

- 1. Botón de liberación 2. Gancho 3. Tubo recto  
4. Colector ciclónico 5. Entrada de succión

### Acerca del colector ciclónico

El uso de la aspiradora con el colector ciclónico instalado reduce la cantidad de polvo que ingresa a la cápsula, lo que ayuda a evitar que la fuerza de succión se debilite. Además, limpiarla después de su uso es algo sencillo.

**⚠PRECAUCIÓN:** Asegúrese siempre de que la herramienta esté apagada y el cartucho de batería haya sido extraído antes de realizar cualquier trabajo en la misma. Si se deja insertado el cartucho de batería, la aspiradora podría arrancar de forma inesperada y ocasionar una lesión.

**⚠PRECAUCIÓN:** Limpie el filtro de malla del colector ciclónico y los filtros de la unidad de la aspiradora cuando se obstruyan. El uso continuo en la condición obstruida podría provocar su calentamiento o humo.

**AVISO:** Cuando se coloca el colector ciclónico, no use la aspiradora cuando esté en una posición horizontal u orientada hacia arriba. El hacerlo podría ocasionar que el filtro de malla se obstruya.

**AVISO:** Siempre utilice la aspiradora con los filtros instalados, incluso cuando utiliza el colector ciclónico. Si se utiliza la aspiradora sin los filtros instalados se podría ocasionar una avería del motor.

**NOTA:** Verifique que el colector ciclónico, la aspiradora y el tubo recto estén asegurados correctamente antes de su uso.

**NOTA:** Vacíe la caja para polvo del colector ciclónico y la cápsula de la aspiradora cuando se haya acumulado el polvo. El uso continuo en esas circunstancias debilitará la fuerza de succión.

**NOTA:** También puede usar el colector ciclónico sin la función de bloqueo.

**NOTA:** Para instalar o desinstalar el colector ciclónico, consulte la sección "Instalación o desinstalación del aditamento para aspiradora".

### Eliminación del polvo

Cuando se haya acumulado el polvo hasta la línea de llenado completo de la caja para polvo, siga el procedimiento a continuación y deseche el polvo.

1. Sujete la caja para polvo firmemente, oprima y mantenga apretados los dos botones y extraiga la caja para polvo.

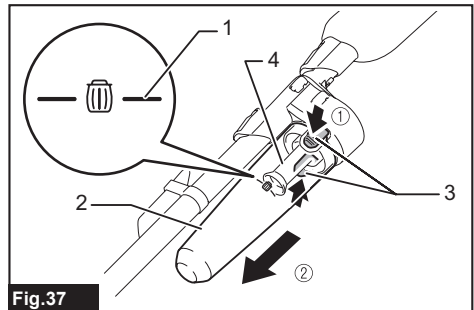


Fig.37

- 1. Línea de llenado completo 2. Caja para polvo  
3. Botón (dos ubicaciones) 4. Filtro de malla

2. Deseche el polvo dentro de la caja para polvo y extraiga cualquier polvo y partículas adheridas a la superficie del filtro de malla.

3. Inserte la caja para polvo hasta el fondo hasta que los dos botones queden asegurados con un clic.

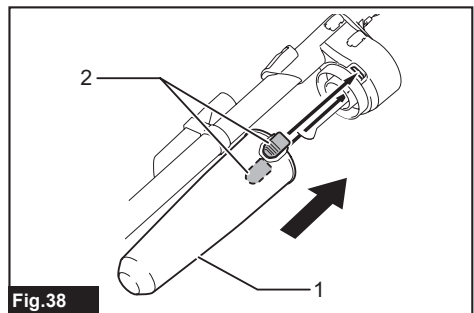


Fig.38

- 1. Caja para polvo 2. Botón (dos ubicaciones)

**NOTA:** Verifique que el colector ciclónico, la aspiradora y el tubo recto estén asegurados correctamente antes de reiniciar la operación.

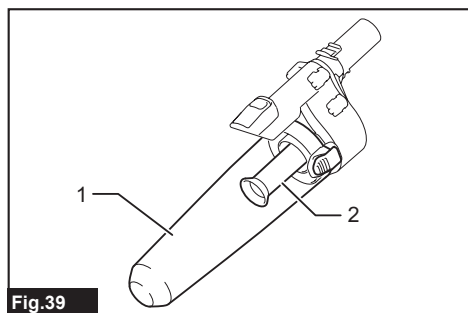
**NOTA:** Si la fuerza de succión no se recupera incluso después de desechar el polvo y de limpiar el filtro de malla, verifique si se ha acumulado polvo en la cápsula de la aspiradora o si hay obstrucción.

**NOTA:** El polvo podría flotar hacia arriba cuando se deseché del colector ciclónico. Tenga cuidado de que el polvo no alcance sus ojos.

## Limpieza

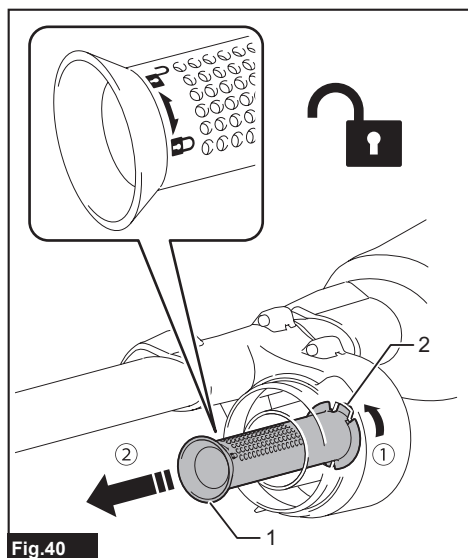
Cuando la caja para polvo se ensucia o el filtro de malla se obstruye, quítelos y lávelos con agua. (Consulte la sección "Eliminación del polvo" para el procedimiento de eliminación).

Seque las piezas por completo antes de reinstalarlas y usarlas.



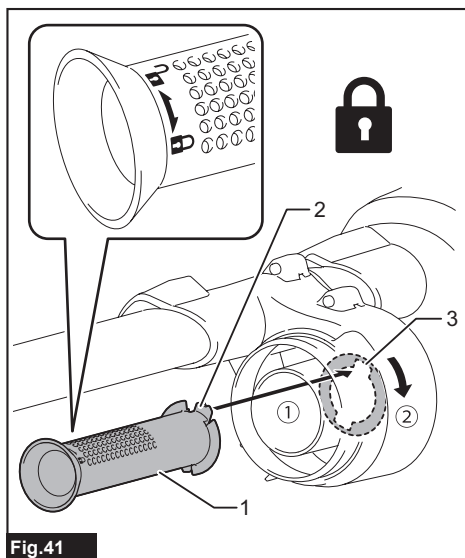
Cuando el filtro de malla se ensucie en exceso, límpielo con los siguientes procedimientos.

1. Gire el filtro de malla en el sentido contrario a las manecillas del reloj y retírelo mientras los ganchos no están asegurados.



2. Retire el polvo en el filtro de malla y posteriormente lávelo con agua. Después de esto, séquelo por completo.

3. Inserte el filtro de malla dentro de la base mientras los ganchos están alineados con el puerto. Mueva el filtro de malla en el sentido de las manecillas del reloj hasta que los ganchos se aseguren con un clic. Asegúrese de que el filtro de malla quede bien instalado.



## GARANTÍA LIMITADA DE MAKITA

### Ésta Garantía no aplica para México

Consulte la hoja de la garantía anexa para ver los términos más vigentes de la garantía aplicable a este producto. En caso de no disponer de esta hoja de garantía anexa, consulte los detalles sobre la garantía descritos en el sitio web de su país respectivo indicado a continuación.

Estados Unidos de América: [www.makitatools.com](http://www.makitatools.com)

Canadá: [www.makita.ca](http://www.makita.ca)

Otros países: [www.makita.com](http://www.makita.com)



< USA only >

# WARNING

Some dust created by power sanding, sawing, grinding, drilling, and other construction activities contains chemicals known to the State of California to cause cancer, birth defects or other reproductive harm. Some examples of these chemicals are:

- lead from lead-based paints,
- crystalline silica from bricks and cement and other masonry products, and
- arsenic and chromium from chemically-treated lumber.

Your risk from these exposures varies, depending on how often you do this type of work. To reduce your exposure to these chemicals: work in a well ventilated area, and work with approved safety equipment, such as those dust masks that are specially designed to filter out microscopic particles.

< Sólo en los Estados Unidos >

# ADVERTENCIA

Algunos polvos creados por el lijado, aserrado, esmerilado, taladrado y otras actividades de la construcción contienen sustancias químicas reconocidas por el Estado de California como causantes de cáncer, defectos de nacimiento y otros peligros de reproducción. Algunos ejemplos de estos productos químicos son:

- plomo de pinturas a base de plomo,
- sílice cristalino de ladrillos y cemento y otros productos de albañilería, y
- arsénico y cromo de maderas tratadas químicamente.

El riesgo al que se expone varía, dependiendo de la frecuencia con la que realice este tipo de trabajo. Para reducir la exposición a estos productos químicos: trabaje en un área bien ventilada y póngase el equipo de seguridad indicado, tal como las máscaras contra polvo que están especialmente diseñadas para filtrar partículas microscópicas.

**Makita Corporation**

3-11-8, Sumiyoshi-cho,  
Anjo, Aichi 446-8502 Japan

[www.makita.com](http://www.makita.com)

885886D936  
CL001G-2  
EN, FRCA, ESMX  
20230529